

# DATA SHEET



## **SAA8117HL**

### **Digital camera USB interface IC**

Product specification  
File under Integrated Circuits, IC22

1999 Apr 02

**Digital camera USB interface IC****SAA8117HL**

<b>CONTENTS</b>	15	<b>PACKAGE OUTLINE</b>	
1	FEATURES	16	<b>SOLDERING</b>
2	APPLICATIONS	16.1	Introduction to soldering surface mount packages
3	GENERAL DESCRIPTION	16.2	Reflow soldering
4	ORDERING INFORMATION	16.3	Wave soldering
5	QUICK REFERENCE DATA	16.4	Manual soldering
6	BLOCK DIAGRAM	16.5	Suitability of surface mount IC packages for wave and reflow soldering methods
7	PINNING	17	<b>DEFINITIONS</b>
8	FUNCTIONAL DESCRIPTION	18	<b>LIFE SUPPORT APPLICATIONS</b>
8.1	Video synchronization	19	<b>PURCHASE OF PHILIPS I<sup>2</sup>C COMPONENTS</b>
8.2	CIF formatter		
8.3	Compression engine		
8.4	Transfer buffer		
8.5	SNERT interface		
8.6	Sensor pulse generator		
8.7	Pulse diagrams		
8.8	USB video FIFO		
8.9	PSIE-MMU, I <sup>2</sup> C-bus interface and USB RAM space		
8.10	ATX and external ATX interface		
8.11	Audio		
8.12	Power management		
9	CONTROL REGISTER DESCRIPTION		
9.1	SNERT (UART)		
9.2	I <sup>2</sup> C-bus interface		
9.2.1	Commands		
9.2.2	End-points		
9.2.3	Control top registers		
9.2.4	Video FIFO registers		
9.2.5	ADIF top registers		
10	LIMITING VALUES		
11	THERMAL CHARACTERISTICS		
12	CHARACTERISTICS		
13	TIMING		
14	APPLICATION INFORMATION		

## Digital camera USB interface IC

## SAA8117HL

**1 FEATURES**

- Medium resolution CCD sensors (PAL non-interlaced mode) or VGA CCD sensors (progressive mode)
- D1 digital video input (8 bits YUV 4 : 2 : 2, time multiplexed)
- Internal Pulse Pattern Generator (PPG) dedicated for medium resolution Sharp or compatible sensors and VGA sensors and for frame rate selection
- Video formatter (programmable CIF formatter and compression engine) controlled via SNERT (UART) interface
- Selectable output frame rate (1 fps in VGA, up to 15 fps in CIF format)
- Video packetizer FIFO
- I<sup>2</sup>C-bus interface for communication between the USB protocol hardware and the external microcontroller
- Integrated analog bus driver (ATX)
- Microphone/audio input to USB (FGA, ADC, PLL and decimator filter)
- Integrated analog bus driver (ATX)
- Integrated main oscillator
- Miscellaneous functions e.g. power management, PLL backup oscillator.

**2 APPLICATIONS**

- Low-cost desktop video applications with USB interface.

**3 GENERAL DESCRIPTION**

The SAA8117HL is a monolithic integrated circuit which can be used in PC video cameras to convert D1 video signals and analog audio signals to properly formatted USB packets.

It is designed as a back-end for the SAA8110G or SAA8112HL (general camera digital processing ICs) and is optimized for use with the TDA8784/87 (camera pre-processing IC) and the 83C51RC (microcontroller).

**4 ORDERING INFORMATION**

TYPE NUMBER	PACKAGE		
	NAME	DESCRIPTION	VERSION
SAA8117HL	LQFP100	plastic low profile quad flat package; 100 leads; body 14 × 14 × 1.4 mm	SOT407-1

## Digital camera USB interface IC

## SAA8117HL

**5 QUICK REFERENCE DATA**

Measured over full voltage and operating temperature range.

SYMBOL	PARAMETER	CONDITIONS	MIN.	TYP.	MAX.	UNIT
$V_{DDD}$	digital supply voltage		3.0	3.3	3.6	V
$V_{DDA}$	analog supply voltage		3.0	3.3	3.6	V
$I_{DD(tot)}$	total supply current	$V_{DD} = 3.3\text{ V}$	–	91	–	mA
$V_{i(bus)}$	input voltage on I <sup>2</sup> C-bus interface pins		5 V tolerant TTL compatible			V
$V_{o(bus)}$	output voltage on I <sup>2</sup> C-bus interface pin SDA		5 V tolerant TTL compatible			V
$V_{i(n)}$	input signal voltage on other pins	$3.0\text{ V} < V_{DD} < 3.6\text{ V}$	low voltage TTL compatible			V
$V_{o(n)}$	output signal voltage on other pins	$3.0\text{ V} < V_{DD} < 3.6\text{ V}$	low voltage TTL compatible			V
$f_{clk}$	clock frequency		–	48	–	MHz
$P_{tot}$	total power dissipation	$T_{amb} = 25\text{ °C}$	–	300	–	mW
$T_{stg}$	storage temperature		–55	–	+150	°C
$T_{amb}$	operating ambient temperature		0	25	70	°C
$T_j$	junction temperature	$T_{amb} = 70\text{ °C}$	–40	–	+125	°C

# Digital camera USB interface IC

## SAA8117HL

### 6 BLOCK DIAGRAM

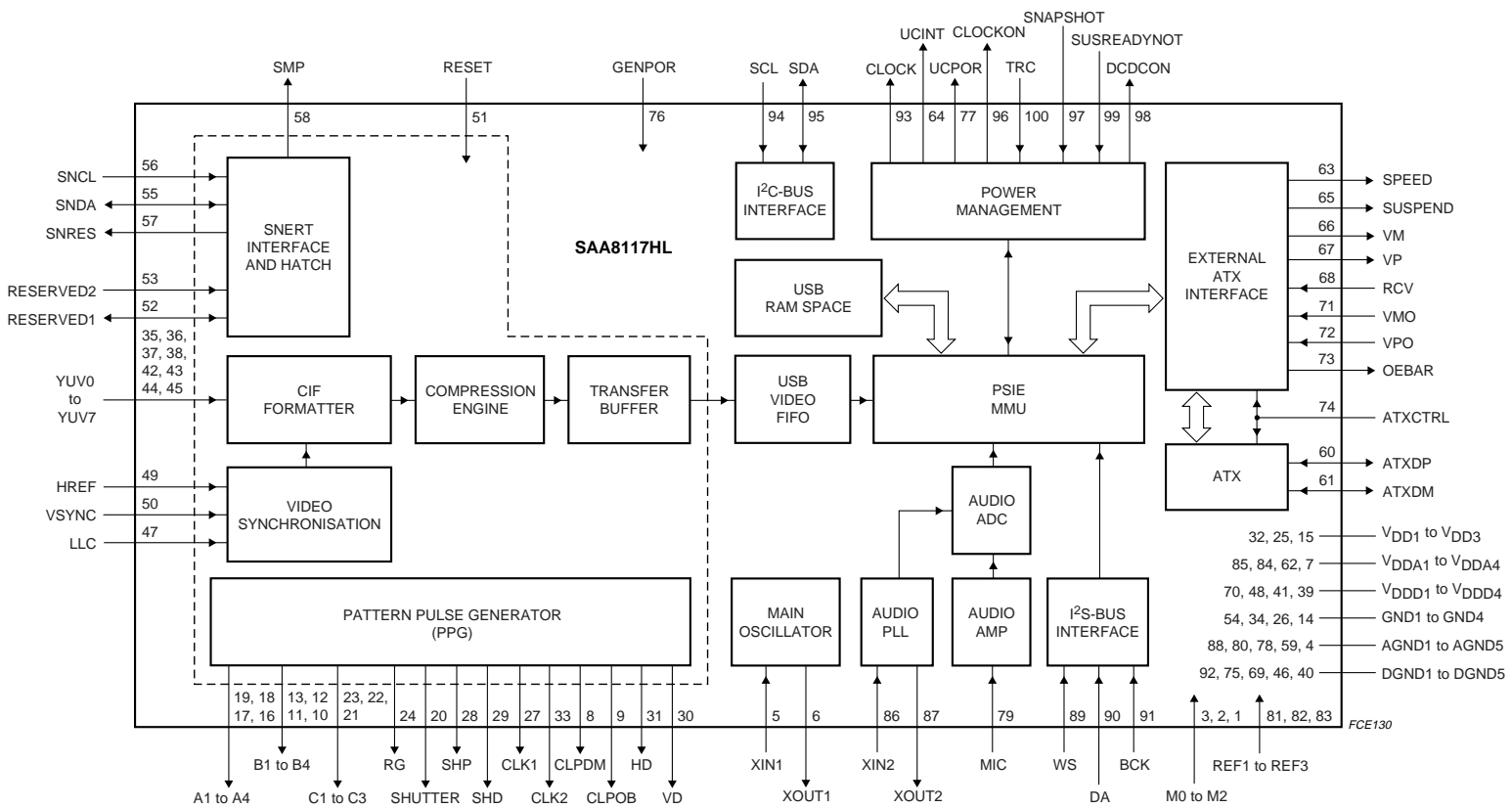


Fig.1 Block diagram.

## Digital camera USB interface IC

## SAA8117HL

## 7 PINNING

SYMBOL	PIN	TYPE	DESCRIPTION
M2	1	I	test mode control signal bit 2
M1	2	I	test mode control signal bit 1
M0	3	I	test mode control signal bit 0
AGND1	4	P	analog ground 1 for main oscillator (48 MHz, 3rd overtone)
XIN1	5	I	oscillator input
XOUT1	6	O	oscillator output
V <sub>DDA1</sub>	7	P	analog supply voltage 1 for main oscillator (48 MHz, 3rd overtone)
CLPDM	8	O	dummy clamp pulse output to TDA8784/87
CLPOB	9	O	optical black clamp pulse output to TDA8784/87
B4	10	O	vertical CCD load pulse output (VH1X)
B3	11	O	vertical CCD load pulse output (VH3X)
B2	12	O	vertical CCD load pulse output
B1	13	O	vertical CCD load pulse output
GND1	14	P	ground 1 for output buffers
V <sub>DD1</sub>	15	P	supply voltage 1 for output buffers
A4	16	O	vertical CCD transfer pulse output (V4X)
A3	17	O	vertical CCD transfer pulse output (V3X)
A2	18	O	vertical CCD transfer pulse output (V2X)
A1	19	O	vertical CCD transfer pulse output (V1X)
SHUTTER	20	O	shutter control output for CCD charge reset
C3	21	O	horizontal CCD transfer pulse output
C2	22	O	horizontal CCD transfer pulse output (FH1)
C1	23	O	horizontal CCD transfer pulse output (FH2)
RG	24	O	reset output for CCD output amplifier gate
V <sub>DD2</sub>	25	P	supply voltage 2 for output buffers
GND2	26	P	ground 2 for output buffers
CLK1	27	O	pixel clock output to TDA8784/87 and SAA8110G
SHP	28	O	preset sample-and-hold pulse output to TDA8784/87 (FCDS)
SHD	29	O	data sample-and-hold pulse output to TDA8784/87 (FS)
VD	30	O	vertical definition pulse output to SAA8110G
HD	31	O	horizontal definition pulse output to SAA8110G
V <sub>DD3</sub>	32	P	supply voltage 3 for output buffers
CLK2	33	O	double pixel clock output to SAA8110G
GND3	34	P	ground 3 for output buffers
YUV0	35	I	multiplexed input YUV-bit 0 (LSB)
YUV1	36	I	multiplexed input YUV-bit 1 input
YUV2	37	I	multiplexed input YUV-bit 2 input
YUV3	38	I	multiplexed input YUV-bit 3 input
V <sub>DDD1</sub>	39	P	digital supply voltage 1 for input buffers and predrivers and one part of the digital core

## Digital camera USB interface IC

## SAA8117HL

SYMBOL	PIN	TYPE	DESCRIPTION
DGND1	40	P	digital ground 1 for input buffers and predrivers and for the digital core
V <sub>DD2</sub>	41	P	digital supply voltage 2 for digital core
YUV4	42	I	multiplexed input YUV-bit 4
YUV5	43	I	multiplexed input YUV-bit 5
YUV6	44	I	multiplexed input YUV-bit 6
YUV7	45	I	multiplexed input YUV-bit 7
DGND2	46	P	digital ground 2 for input buffers and predrivers and for the digital core
LLC	47	I	line-locked clock input (delayed CLK2) for YUV-port from SAA8110G
V <sub>DD3</sub>	48	P	digital supply voltage 3 for digital core
HREF	49	I	horizontal reference input for YUV-port from SAA8110G
VSYNC	50	I	vertical synchronization input for YUV-port from SAA8110G
RESET	51	I	Power-on reset input (for video processing and PPG)
RESERVED1	52	–	test pin (should not be used)
RESERVED2	53	–	test pin (should not be used)
GND4	54	P	ground 4 for output buffer
SNDA	55	I/O	data I/O for SNERT-interface (communication between SAA8117HL and SAA8110G)
SNCL	56	I	input clock for SNERT-interface (communication between SAA8117HL and SAA8110G)
SNRES	57	O	output reset for SNERT-interface (communication between SAA8117HL and SAA8110G)
SMP	58	O	output switch mode pulse for DC-to-DC power supply
AGND2	59	P	analog ground 2 for ATX (transceiver)
ATXDP	60	I/O	positive driver of the differential data pair input/output (ATX)
ATXDM	61	I/O	negative driver of the differential data pair input/output (ATX)
V <sub>DDA2</sub>	62	P	analog supply voltage 2 for ATX
SPEED	63	O	required output for ATX-backup solution
UCINT	64	O	interrupt output from USB protocol hardware to microcontroller
SUSPEND	65	O	control output from USB protocol hardware to microcontroller
VM	66	O	required output for ATX-backup solution (txdn)
VP	67	O	required output for ATX-backup solution (txdp)
RCV	68	I	required output for ATX-backup solution
DGND3	69	P	digital ground 3 for input buffers and predrivers and for the digital core
V <sub>DD4</sub>	70	P	digital supply voltage 4 for one part of input buffers and predrivers and for the digital core
VMO	71	I	required input or ATX-backup solution (rxdn)
VPO	72	I	required input for ATX-backup solution (rxdp)
OEBAR	73	O	required output for ATX-backup solution
ATXCTRL	74	I	required input for ATX-backup solution
DGND4	75	P	digital ground 4 for input buffers and predrivers and for the digital core
GENPOR	76	I	Power-on reset input (for USB protocol hardware)

## Digital camera USB interface IC

## SAA8117HL

SYMBOL	PIN	TYPE	DESCRIPTION
UCPOR	77	O	output control from USB protocol hardware to microcontroller
AGND3	78	P	analog ground 3 for FGA
MIC	79	I	microphone input
AGND4	80	P	analog ground 4 for FGA/ADC
REF1	81	I	reference input voltage 1 for FGA/ADC (double-bonding)
REF2	82	I	reference input voltage 2 for DACn (used in the ADC)
REF3	83	I	reference input voltage 3 for DACp (used in the ADC)
V <sub>DDA3</sub>	84	P	analog supply voltage 3 for FGA/ADC
V <sub>DDA4</sub>	85	P	analog supply voltage 4 for PLL
XIN2	86	I	oscillator input required for PLL backup solution
XOUT2	87	O	oscillator output required for PLL backup solution
AGND5	88	P	analog ground 5 for PLL
WS	89	I	I <sup>2</sup> S-bus word select (required for FGA/ADC backup solution)
DA	90	I	I <sup>2</sup> S-bus data (required for FGA/ADC backup solution)
BCK	91	I	I <sup>2</sup> S-bus clock (required for FGA/ADC backup solution)
DGND5	92	P	digital ground 5 for input buffers and predrivers and for the digital core
CLOCK	93	O	clock output from USB protocol hardware to microcontroller
SCL	94	I	slave I <sup>2</sup> C-bus clock input
SDA	95	I/O	slave I <sup>2</sup> C-bus data input/output
CLOCKON	96	O	control output for main oscillator switched on
SNAPSHOT	97	I	input for remote wake-up (snapshot)
DCDCON	98	O	control output from USB protocol hardware to power supply module
SUSREADYNOT	99	I	input from microcontroller for SUSPEND mode
TRC	100	I	threshold control input for enabling the clock (switching for power management)



Digital camera USB interface IC

SAA8117HL

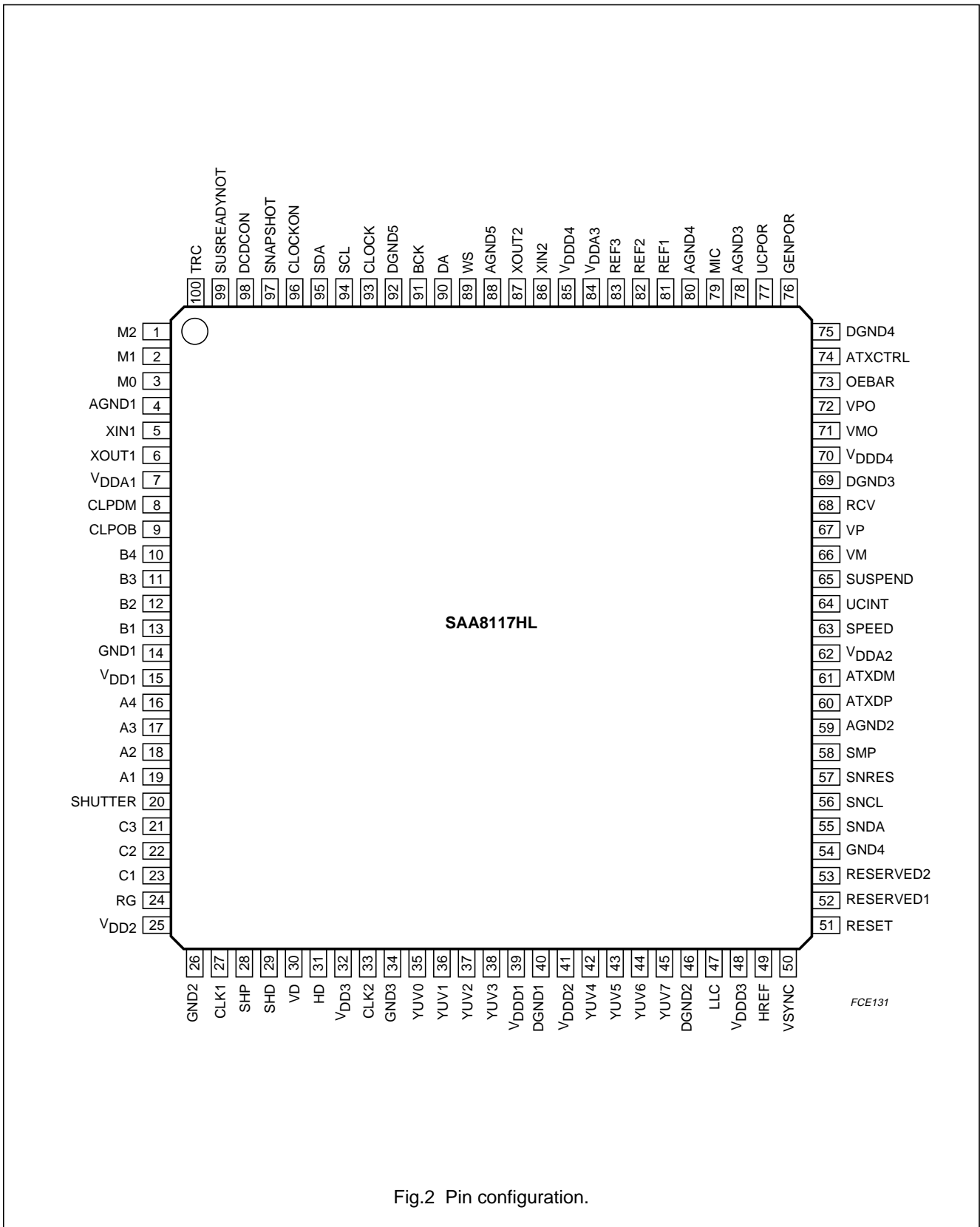


Fig.2 Pin configuration.

# Digital camera USB interface IC

# SAA8117HL

## 8 FUNCTIONAL DESCRIPTION

### 8.1 Video synchronization

The video synchronization module (see Fig.1) is capable of locking onto the video signal thereby implementing a horizontal gate signal HREF (HREF = HIGH when data is valid) and a VS signal indicating the start of a new video frame. This module expects, in the PAL mode, 288 active lines from a total of 292 lines and in the VGA mode, 480 active lines from a total of 486 lines. The module generates control signals for the CIF formatter.

### 8.2 CIF formatter

The video data must be progressive (or non-interlaced) and in 4 : 2 : 2 (UYVY) format. The CIF formatter module (see Figs 1 and 3) is programmable to perform down scaling from 512 x 288 (PAL mode) or 640 x 480 (VGA mode) to 352 x 288 or 176 x 144 without affecting the aspect ratio.

The horizontal scaling is achieved with a Variable Phase Delay filter (VPD-4). To avoid aliasing, this module also contains a prefilter which has three modes:

- Prefilter A (3 taps)
- Prefilter B (7 taps)
- Prefilter B-comb (13 taps).

Prefilter B-comb is similar to prefilter B, but inserts extra taps with amplification 0.

This prefilter must be chosen by selecting prefilter B and setting SN\_Prefilter\_B\_Comb. Prefilter B-comb can be used independently from prefilter A.

The incoming 4 : 2 : 2 data is vertically filtered to 4 : 2 : 0 by throwing away colour samples. In the even lines the V-samples are discarded, in the odd lines the U-samples.

The vertical scaling in PAL mode is from CIF (352 x 288) to QCIF (176 x 144) only. This is done via a vertical prefilter A (3 taps). In VGA mode a VPD-4 vertical filter is applied to scale from 640 x 480 to CIF and QCIF.

From the QCIF image a sub-QCIF cut (128 x 96) can be made. Due to the granularity of the cropping origin, a UV interchange can occur. This interchange can be corrected with SN\_EIRRAH.

In VGA mode the CIF formatter can be bypassed to create a full resolution snapshot. The snapshot can be in 4 : 2 : 0 and in 4 : 2 : 2 format, selectable with SN\_4 : 2 : 2.

### 8.3 Compression engine

The compression engine module (see Figs 1 and 3) works on CIF format only. The CIF data is compressed to a fixed number of bytes per frame. This number can be selected leading a compression factor of either 3 or 4. As a result the data stream of CIF 4 : 2 : 0 equals the data stream of QCIF 4 : 2 : 2 (3 times compression) or QCIF 4 : 2 : 0 (4 times compression). The algorithm is Philips proprietary. Real-time decoding can be done in software on any Pentium platform.

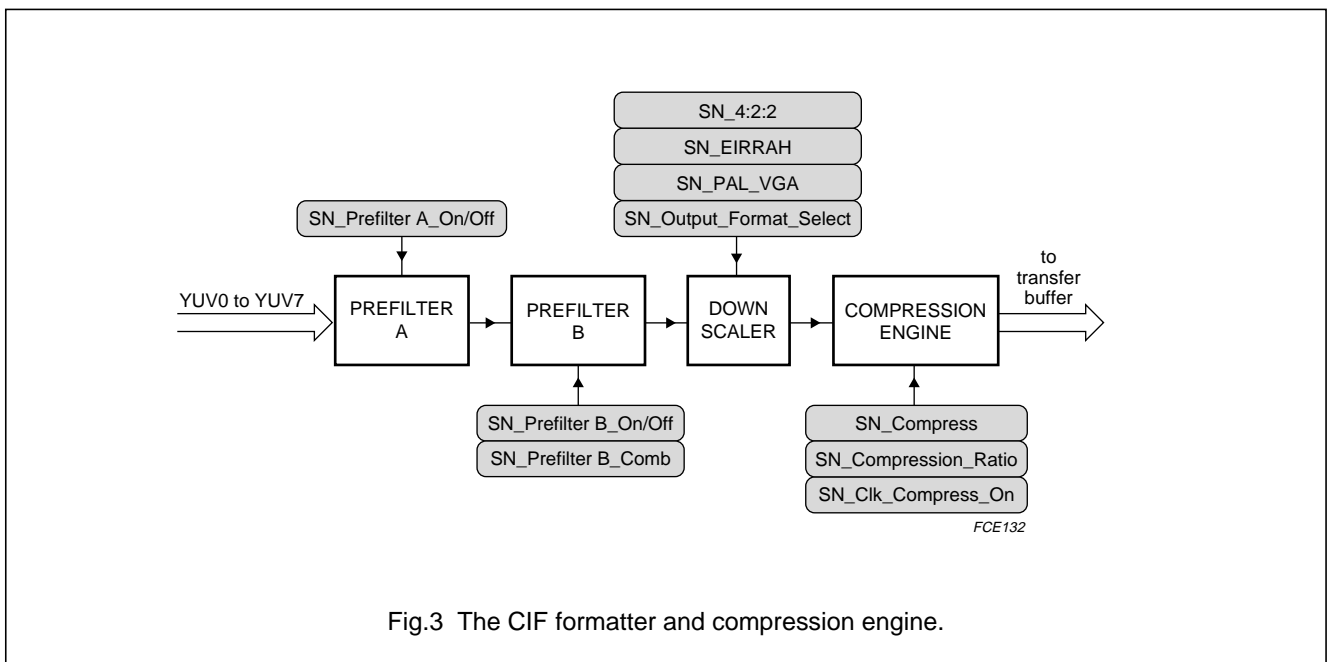


Fig.3 The CIF formatter and compression engine.

## Digital camera USB interface IC

## SAA8117HL

### 8.4 Transfer buffer

The transfer buffer module (see Fig.1) ensures a smooth transfer of the data to the FIFO of the USB. Moreover the transfer buffer can insert in band synchronization words in the video data stream.

This function can be switched on and off with SN\_In band\_Control in register CONTROL17\_0.

The synchronization words can only be used with non-compressed data streams and are formatted like 0x00 0xFF 0x<framecounter><sub>7</sub><linecounter><sub>9</sub>.

The subscript denotes the number of bits and the frame counter is circular incrementing.

The non-compressed data is formatted like:

4 : 2 : 0: <optional sync word><Y0><Y1><Y2><Y3>  
<C0><C2><Y4><Y5><Y6><Y7><C4><C6>.....,

4 : 2 : 2: <optional sync word><Y0><Y1><Y2><Y3>  
<U0><V0><U2><V2><Y4>.....,

where C denotes U-data in the even lines (0, 2, 4, etc.) and V-data in the odd lines (1, 3, 5, etc.).

### 8.5 SNERT interface

In a USB camera the SAA8110G will operate on a clock frequency which depends on the actual frame rate. For the slowest frame rates, this frequency can be so low that the SNERT communication is no longer functional over the specified entire frequency range of the microcontroller.

The microcontroller must adapt its SNERT bus frequency to a frequency appropriate for the current mode in which the SAA8110G is operating.

The SAA8117HL itself is also partly controlled via SNERT. The CIF formatter, compression engine and the PPG function are controlled via SNERT. This SNERT interface works independently from the frame rate and can always be operated in the full frequency range.

### 8.6 Sensor pulse generator

The SAA8117HL incorporates a Pulse Pattern Generator (PPG) function. The PPG can be used for PAL medium resolution Sharp sensors (LZ2423) or compatible CCD sensors. The SAA8117HL can also handle VGA type CCD sensors, so a set of pulses is provided to simplify the use of such sensors. Depending on the type of sensor, it will be necessary to reformat these pulses externally according to the sensor specification.

It should be noted that in case of medium resolution Sharp or compatible sensors an external inverter driver is required to convert the 3 V pulses into a voltage suitable for the used CCD sensor. For the medium resolution Sharp CCD sensor driver, the name of the pins to which the PPG pulses must be connected are indicated between brackets in the SAA8117HL pinning list (pins C3, B1 and B2 are not used).

For both type of sensors the PPG generates 8 different frame rates (see Table 6). The active video size is 512 × 288 for PAL and 640 × 480 for VGA. The total H × V size is 685 × 292 for PAL and 823 × 486 for VGA.

It should be noted that additional HD pulses are added during the vertical blanking interval to reach a total of 312 lines in PAL mode and 525 lines in VGA mode as required by the SAA8110G.

The following registers are associated with the PPG:

- CONTROL17\_0
- CONTROL17\_2
- PPG\_SHUTTERSPEED\_0
- PPG\_SHUTTERSPEED\_1
- PPG\_CLPOB\_START\_LSB
- PPG\_CLPOB\_STOP\_LSB
- PPG\_CLPDM\_START\_LSB
- PPG\_CLPDM\_STOP\_LSB
- CLPMSB.

### 8.7 Pulse diagrams

For medium resolution CCD sensors (PAL):

- High-speed pulses, see Figs 4 and 5
- Horizontal pulses, see Fig.6
- Vertical pulses, see Figs 7 to 11.

For VGA-sensors:

- High-speed pulses, see Figs 12 to 14
- Horizontal pulses, see Fig.15
- Vertical pulses, see Figs 16 to 21.

Digital camera USB interface IC

SAA8117HL

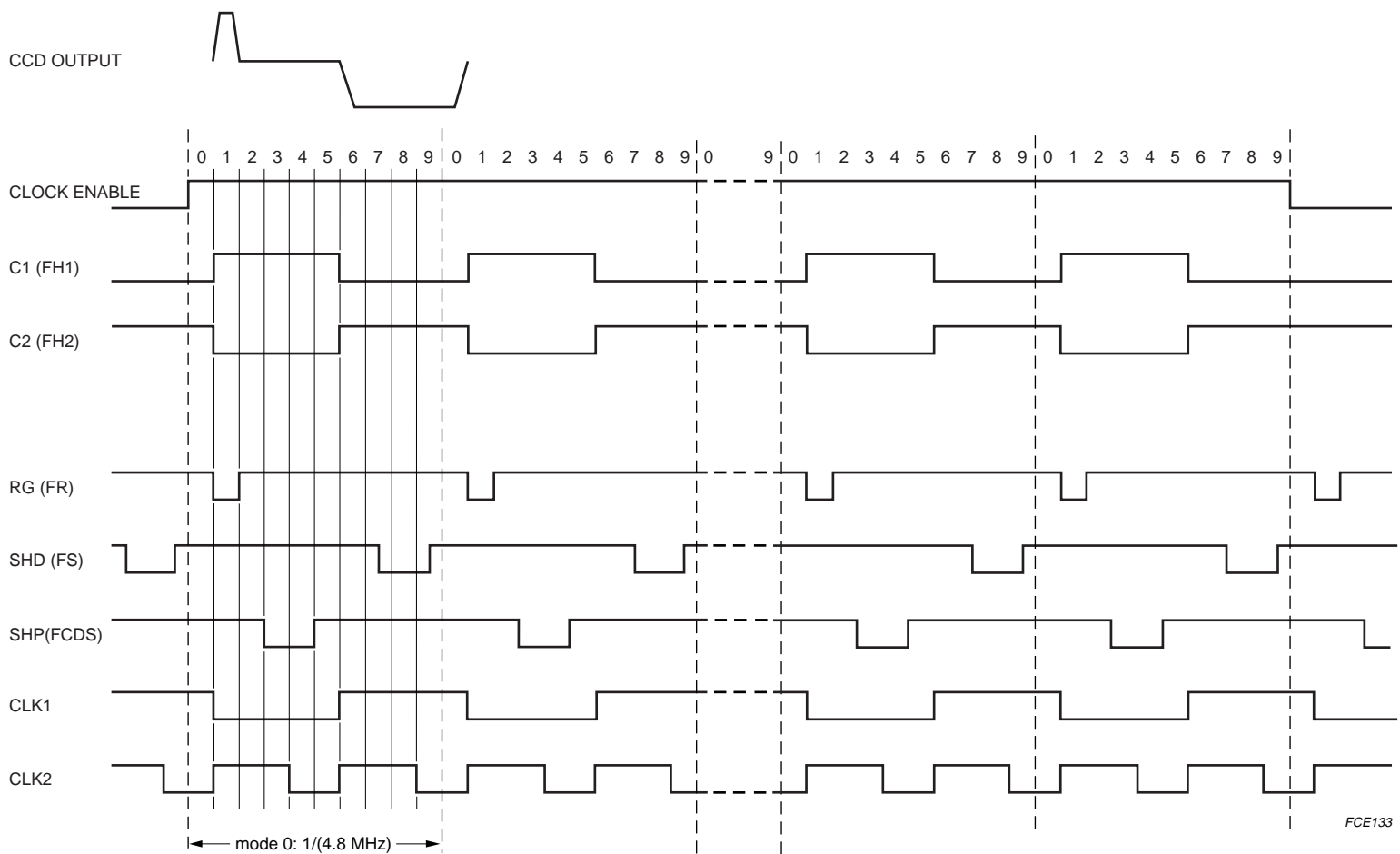


Fig.4 High-speed pulses for PAL medium resolution (1).

Digital camera USB interface IC

SAA8117HL

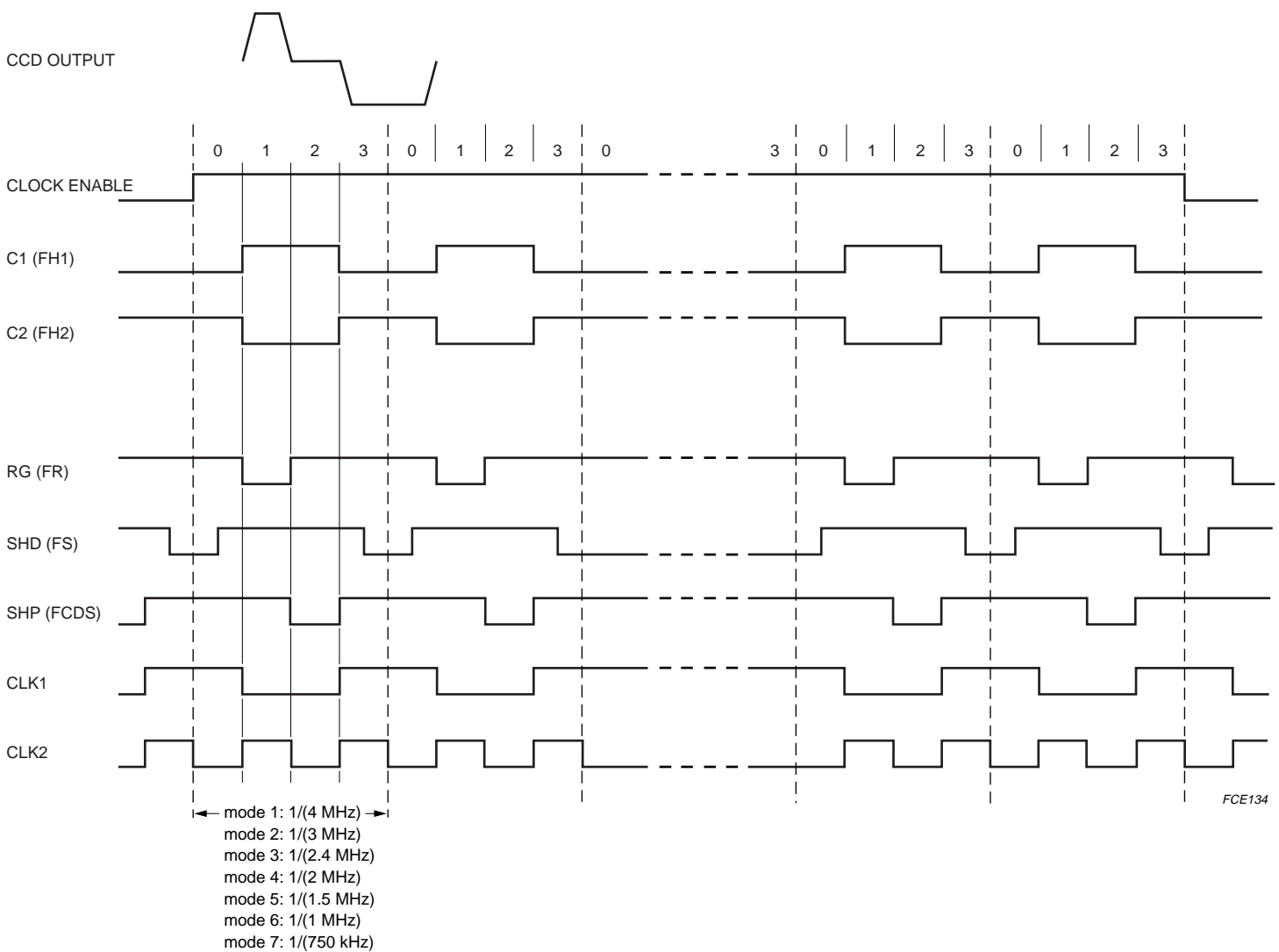
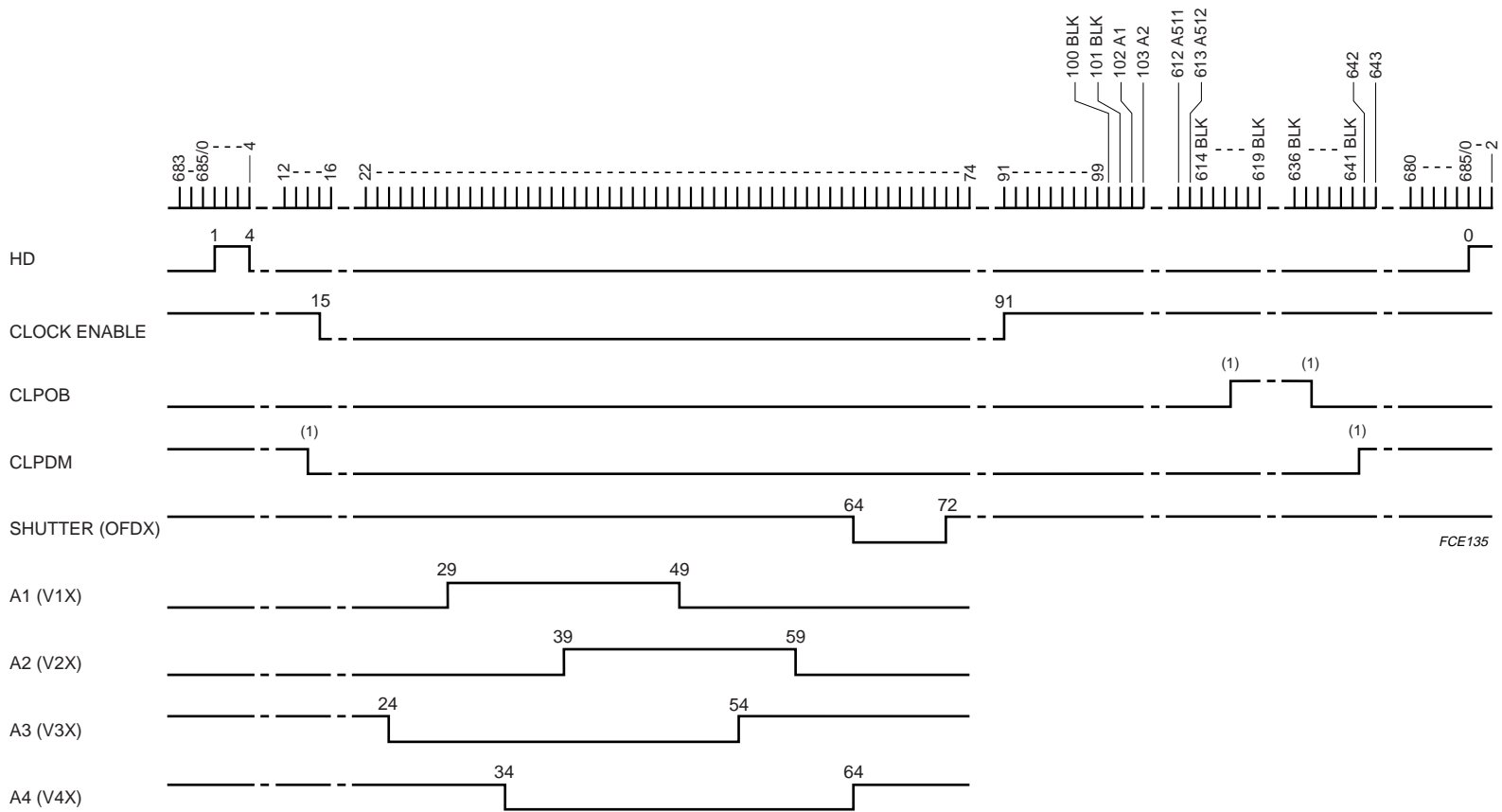


Fig.5 High-speed pulses for PAL medium resolution (2).

Digital camera USB interface IC

SAA8117HL



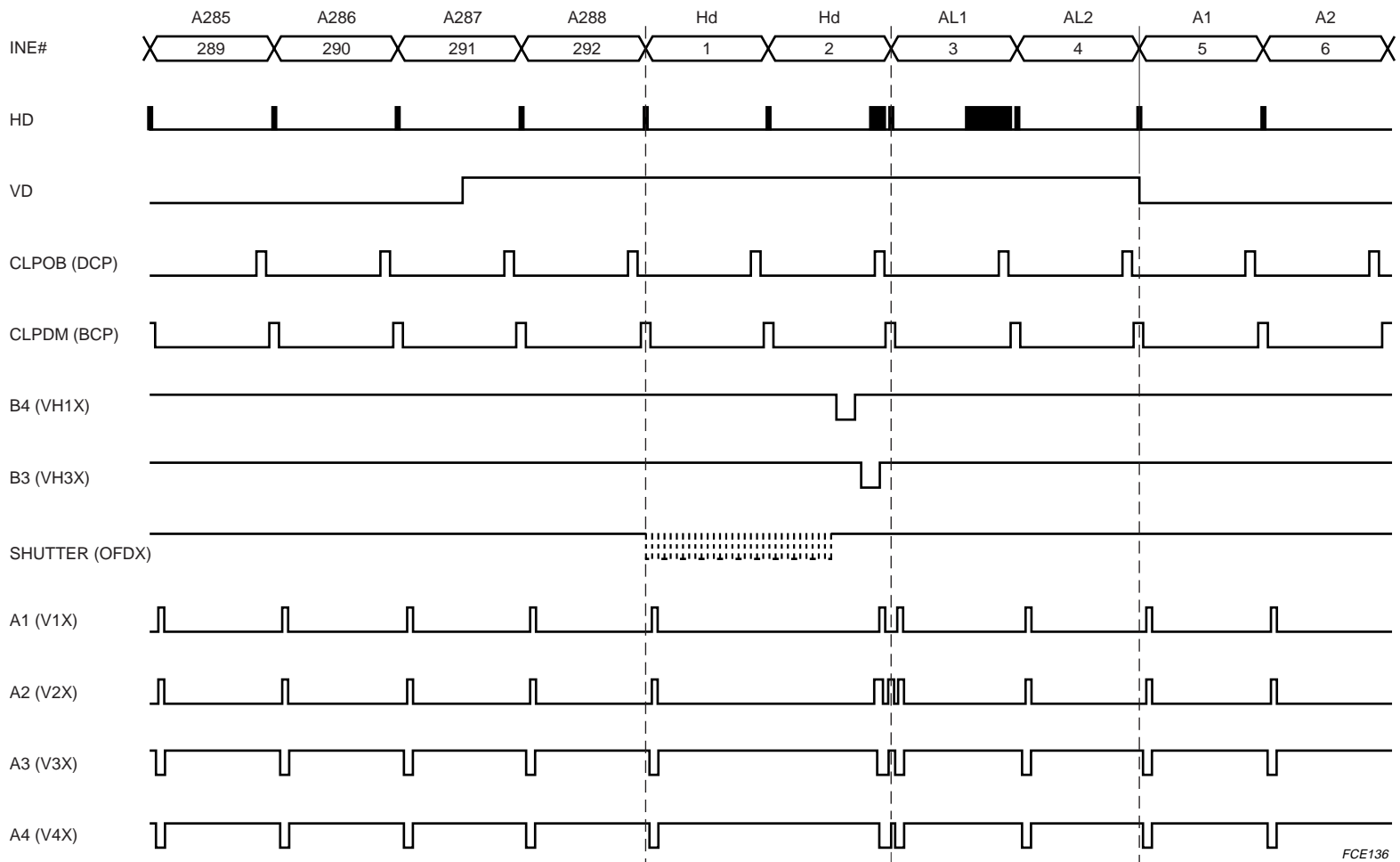
(1) CLPOB and CLPDM are programmable.

Fig.6 Horizontal pulses for PAL medium resolution.

FCE135

Digital camera USB interface IC

SAA8117HL



FCE136

Fig.7 Vertical pulses for PAL medium resolution (1).

Digital camera USB interface IC

SAA8117HL

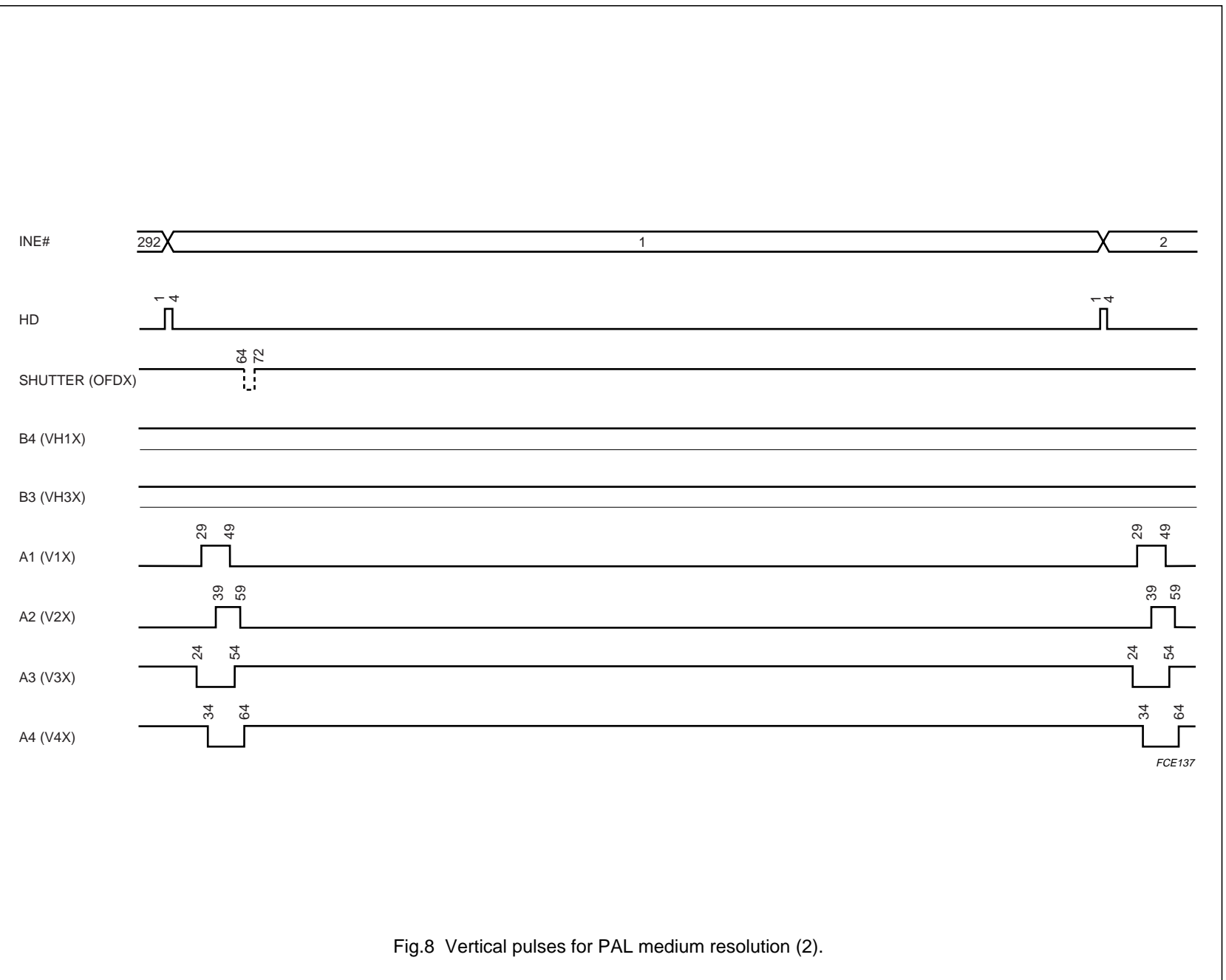
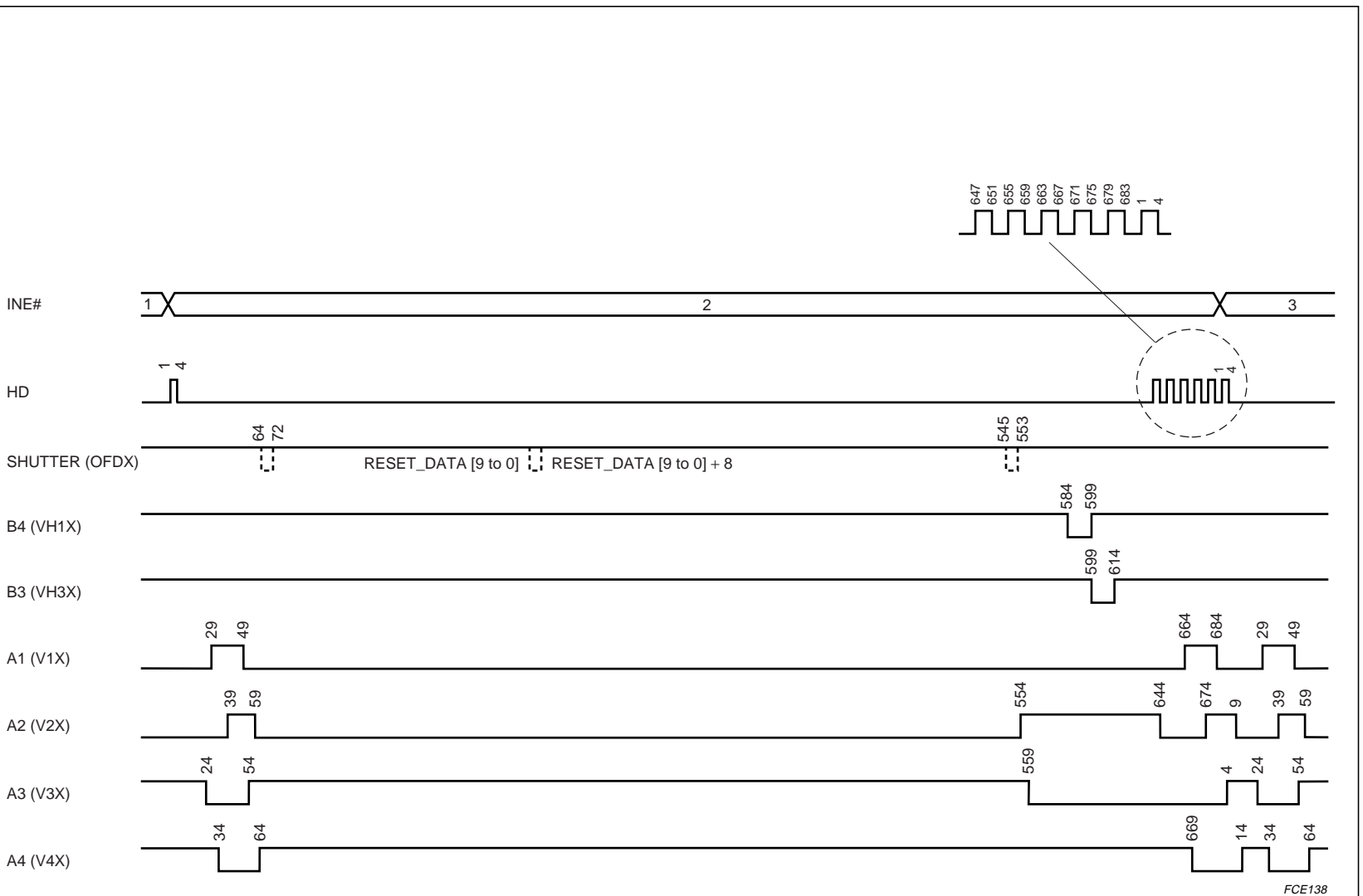


Fig.8 Vertical pulses for PAL medium resolution (2).



Digital camera USB interface IC

SAA8117HL



FCE138

Fig.9 Vertical pulses for PAL medium resolution (3).

Digital camera USB interface IC

SAA8117HL

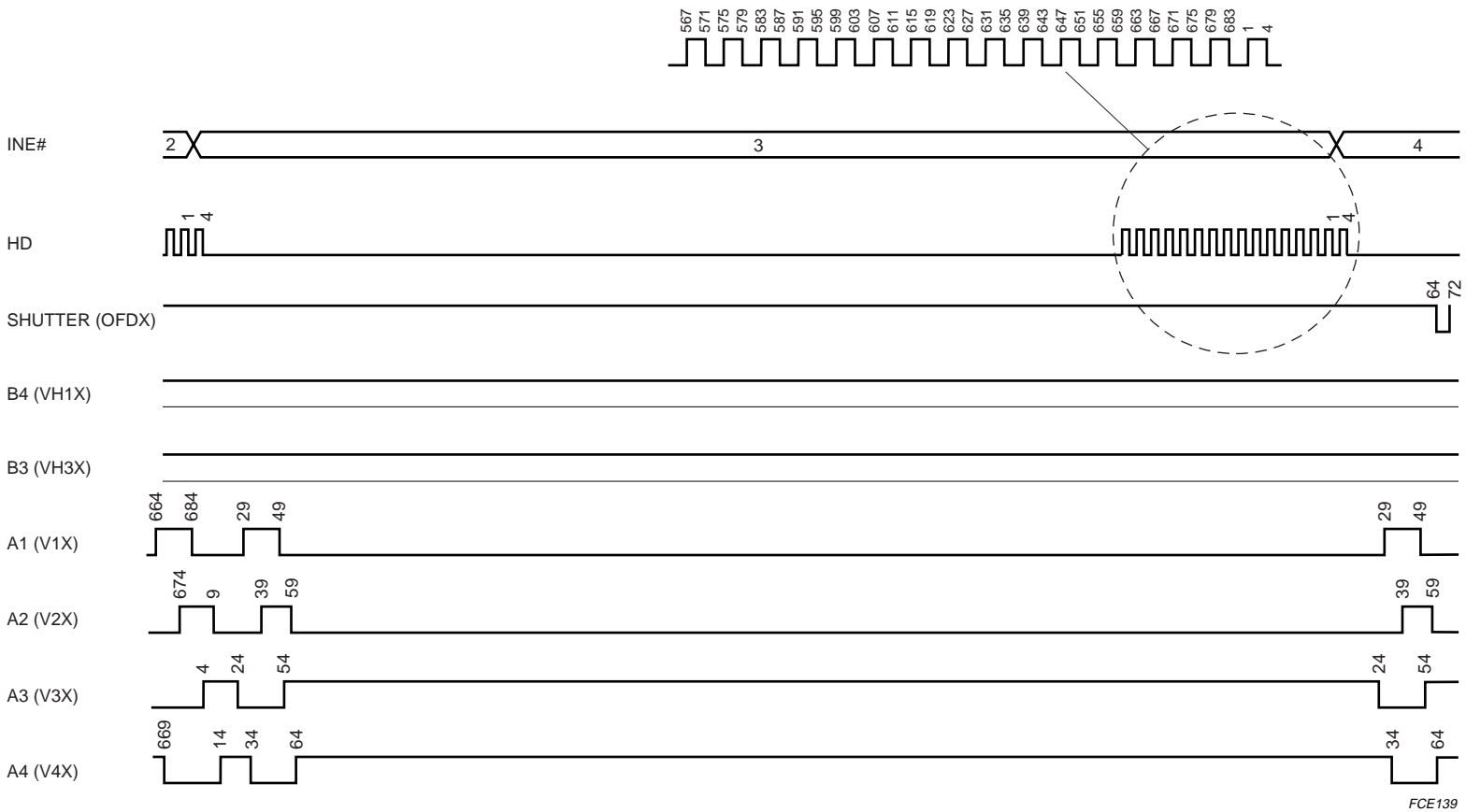


Fig.10 Vertical pulses for PAL medium resolution (4).

FCE139

Digital camera USB interface IC

SAA8117HL

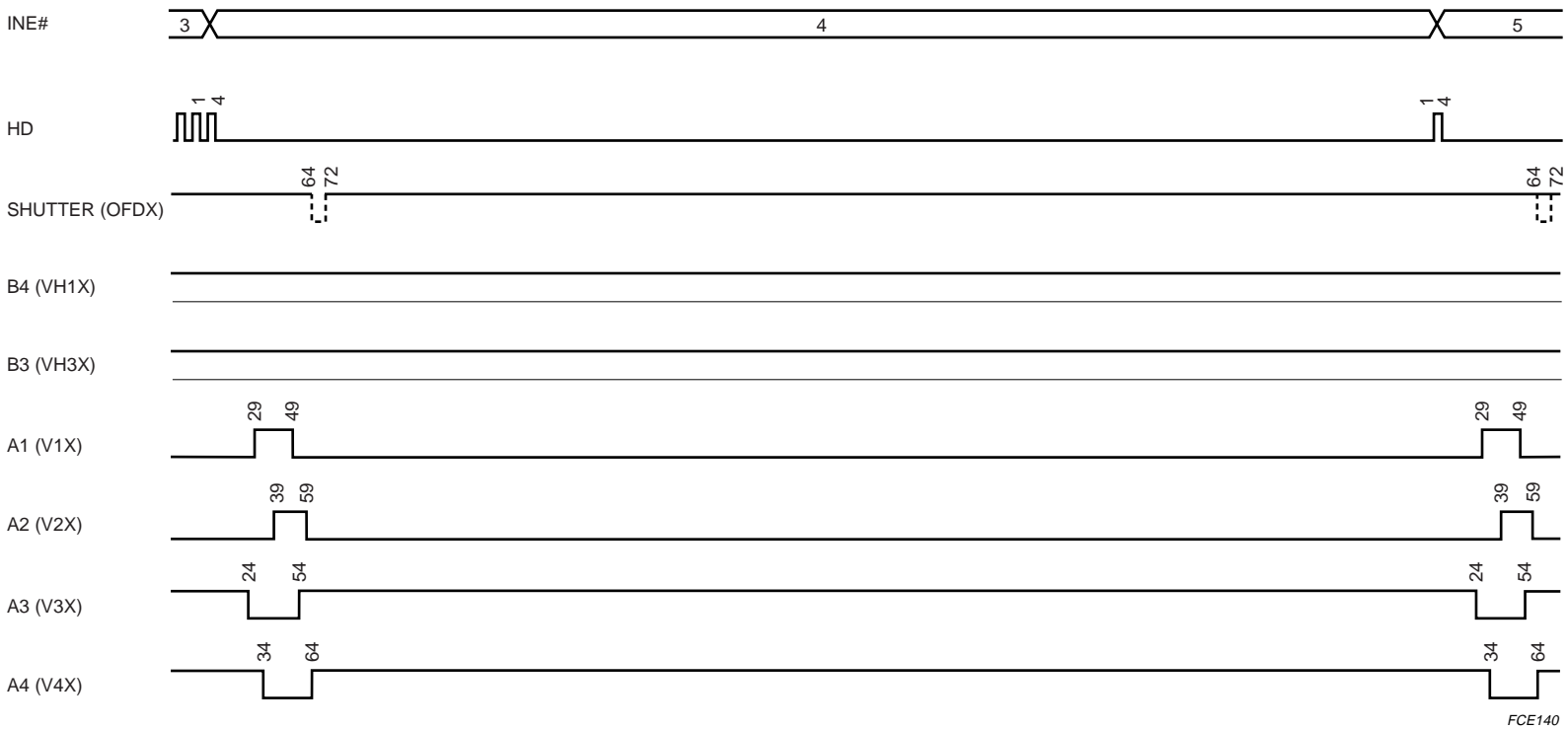


Fig.11 Vertical pulses for PAL medium resolution (5).

Digital camera USB interface IC

SAA8117HL

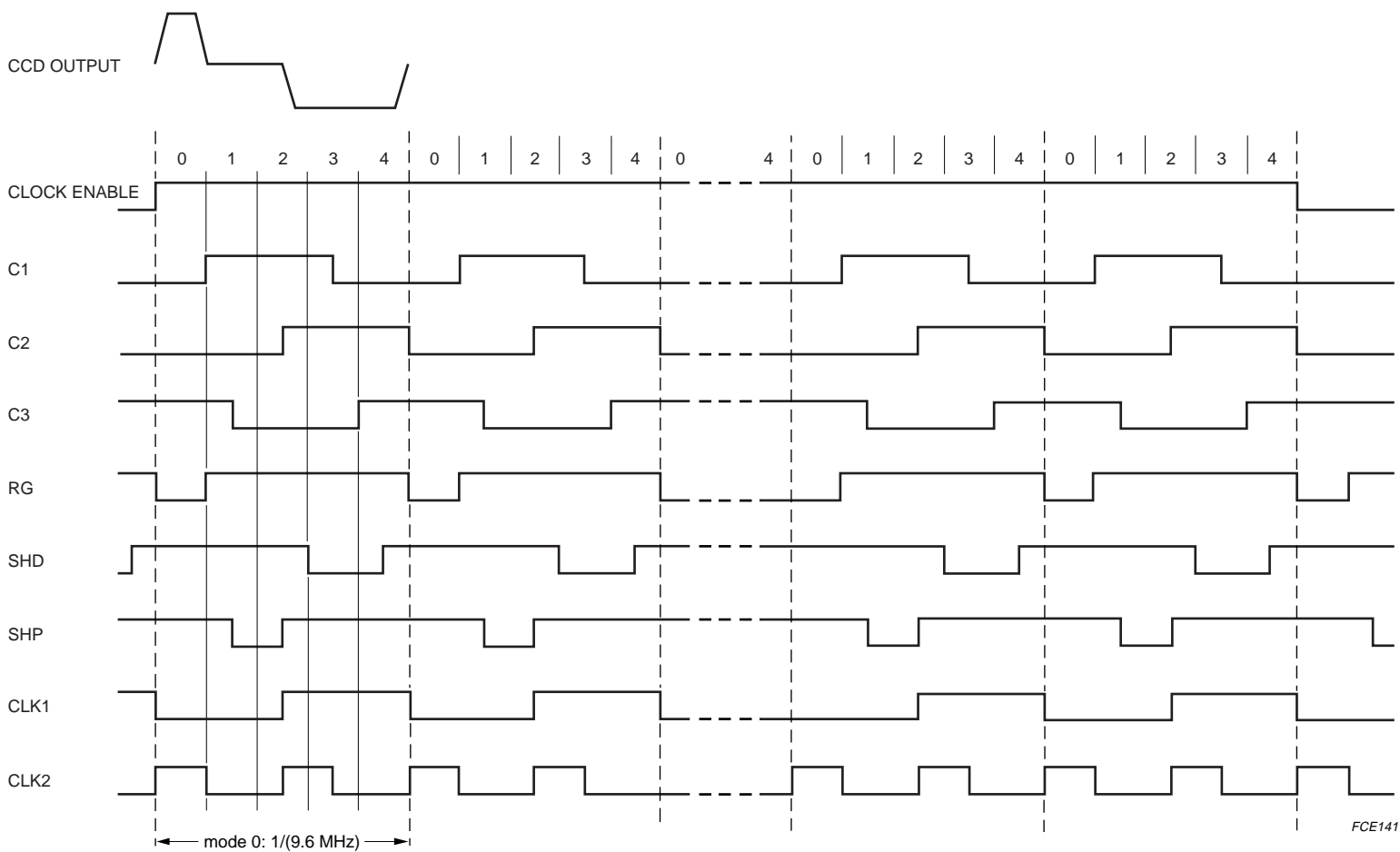


Fig.12 High-speed pulses for VGA sensors (1).

Digital camera USB interface IC

SAA8117HL

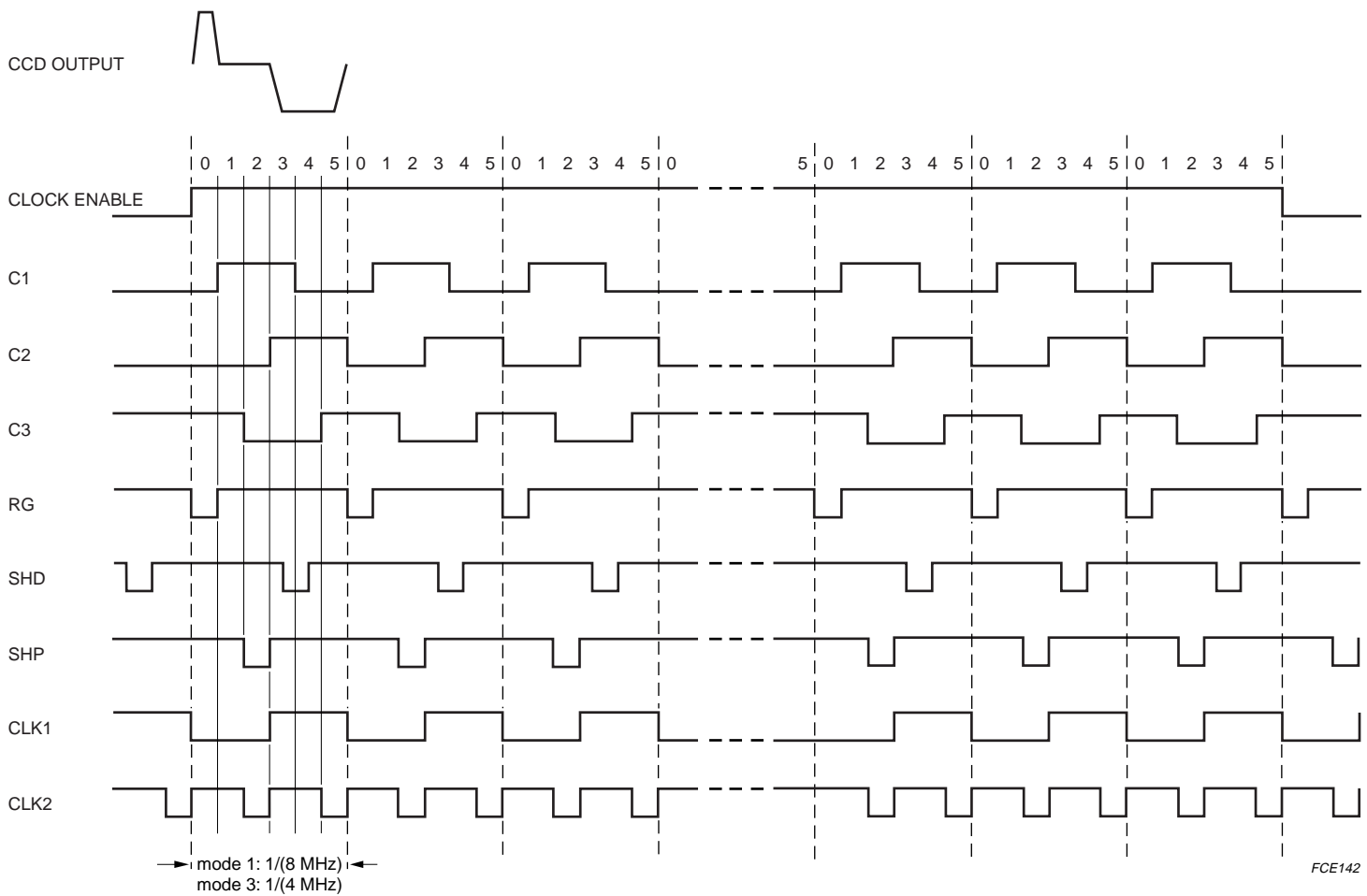


Fig.13 High-speed pulses for VGA sensors (2).

Digital camera USB interface IC

SAA8117HL

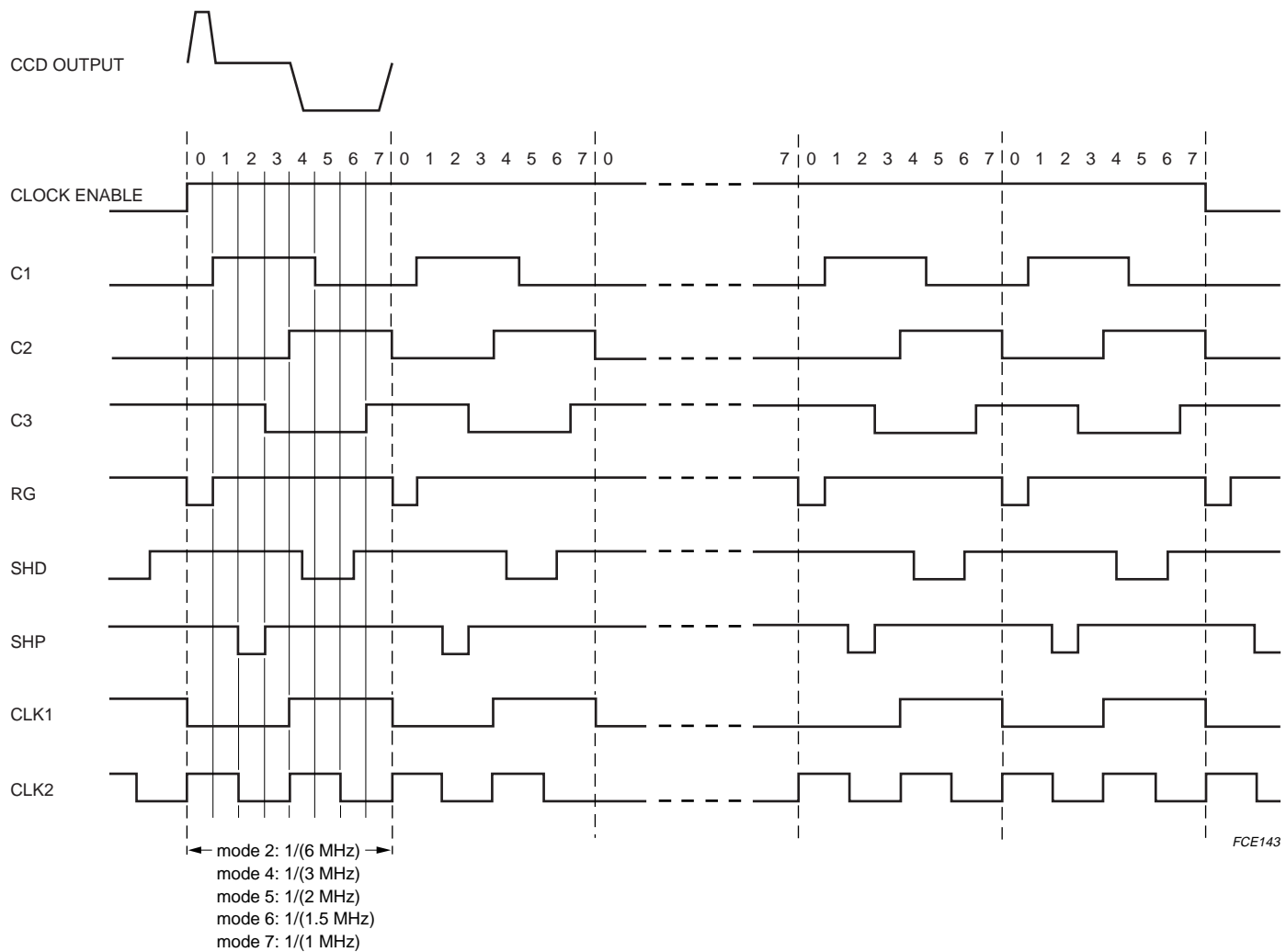
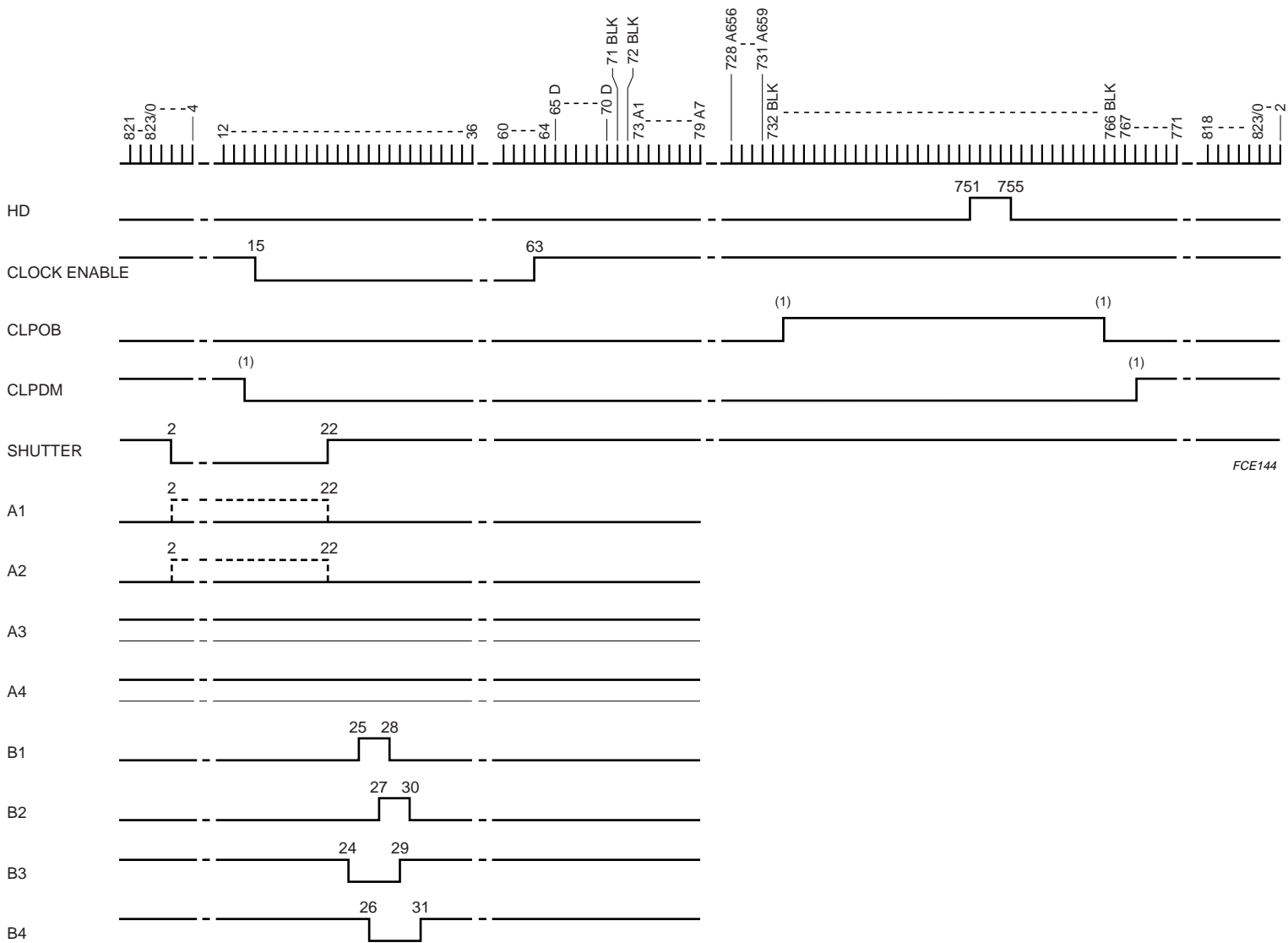


Fig.14 High-speed pulses for VGA sensors (3).

Digital camera USB interface IC

SAA8117HL



(1) CLPOB and CLPDM are programmable.

Fig.15 Horizontal pulses for VGA sensors.

Digital camera USB interface IC

SAA8117HL

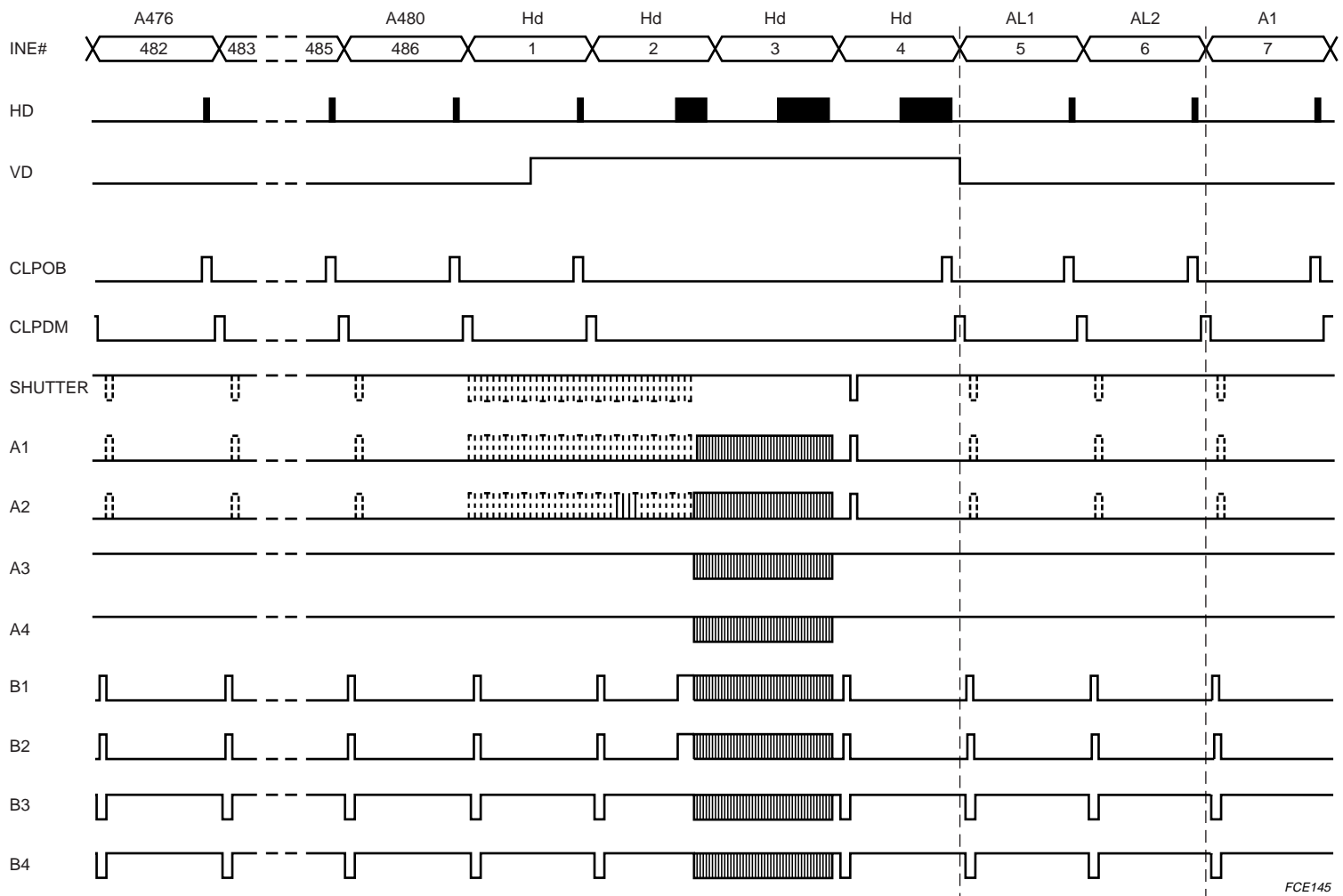
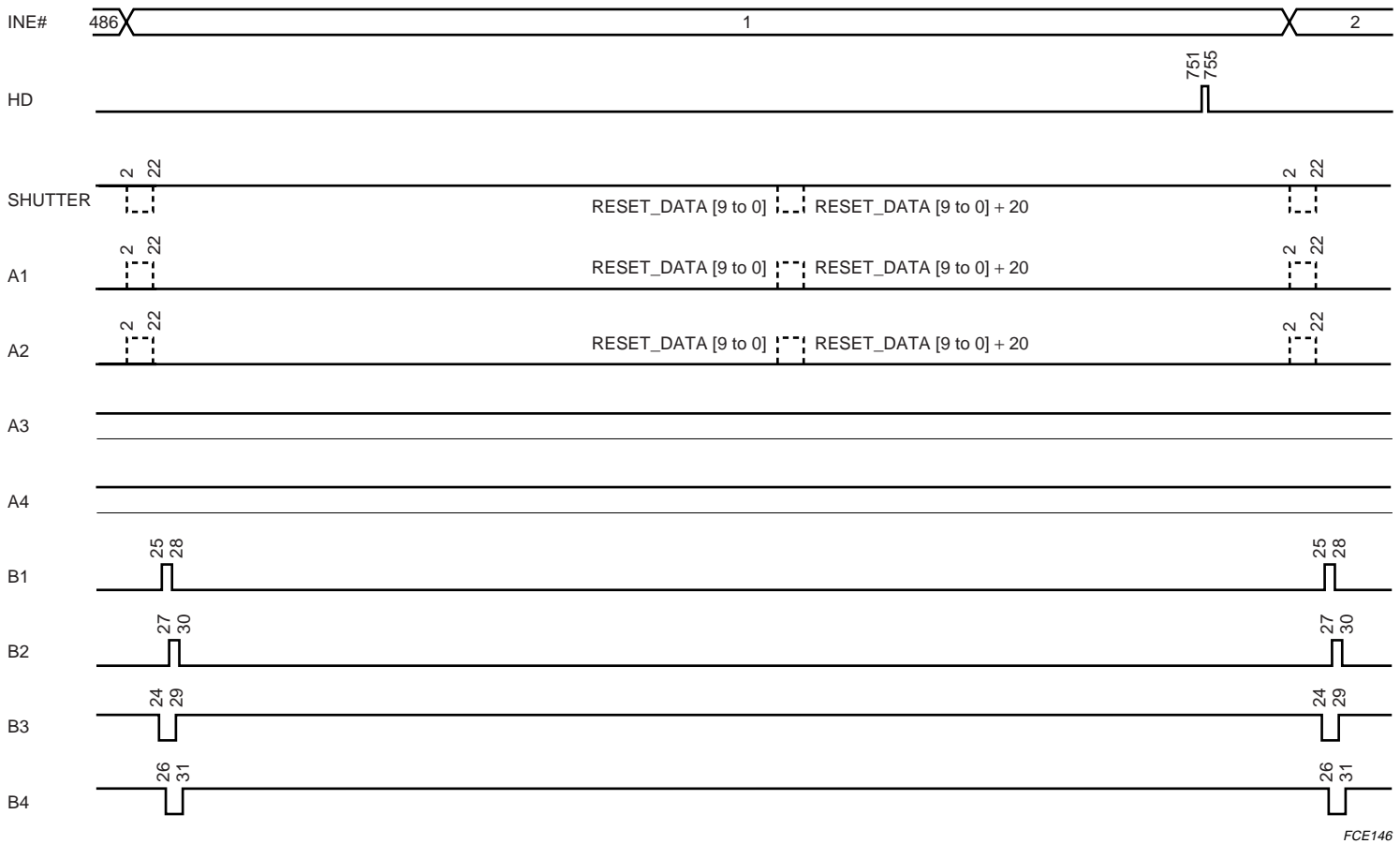


Fig.16 Vertical pulses for VGA sensors (1).



Digital camera USB interface IC

SAA8117HL



FCE146

Fig.17 Vertical pulses for VGA sensors (2).

Digital camera USB interface IC

SAA8117HL

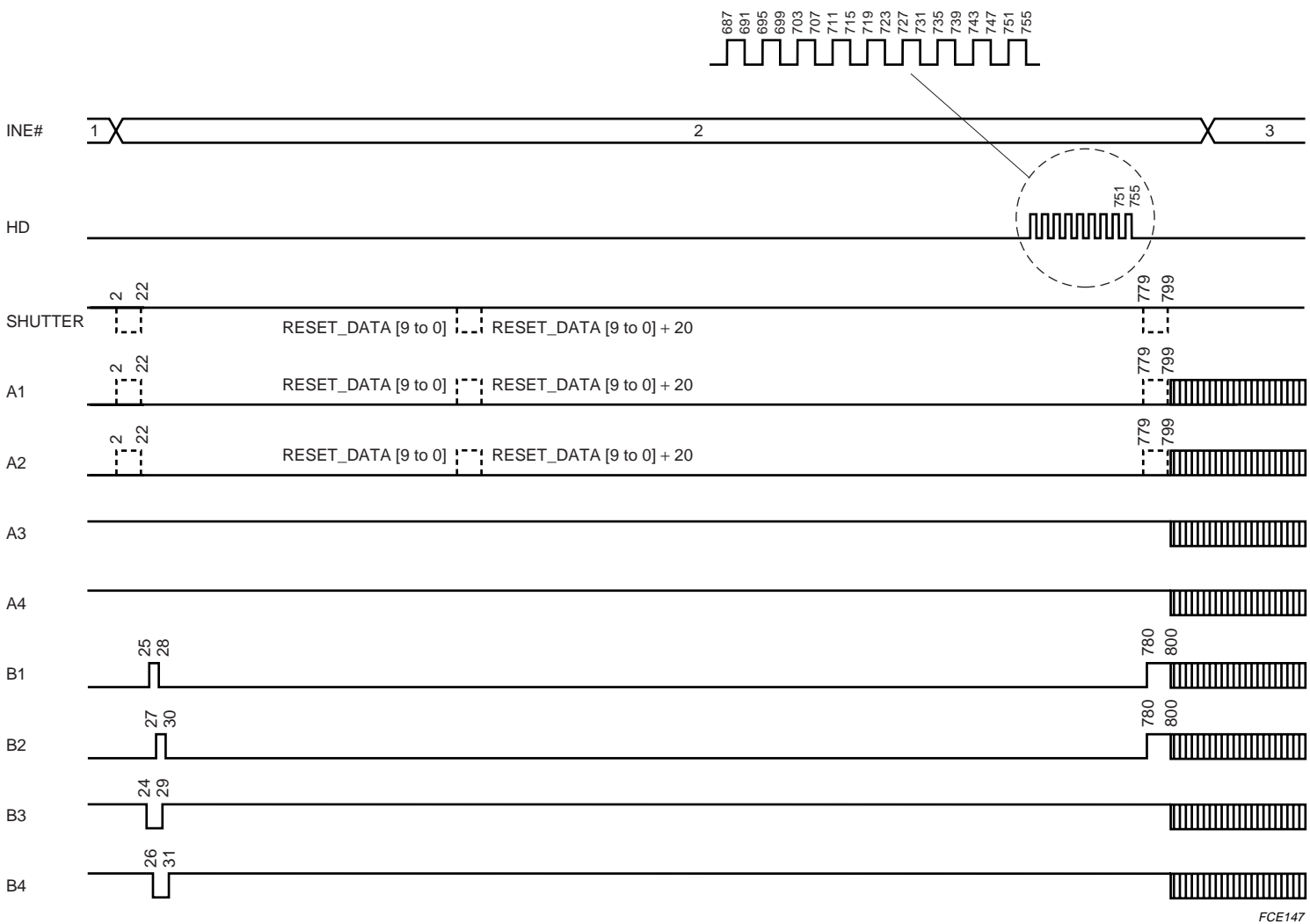


Fig.18 Vertical pulses for VGA sensors (3).

FCE147

Digital camera USB interface IC

SAA8117HL

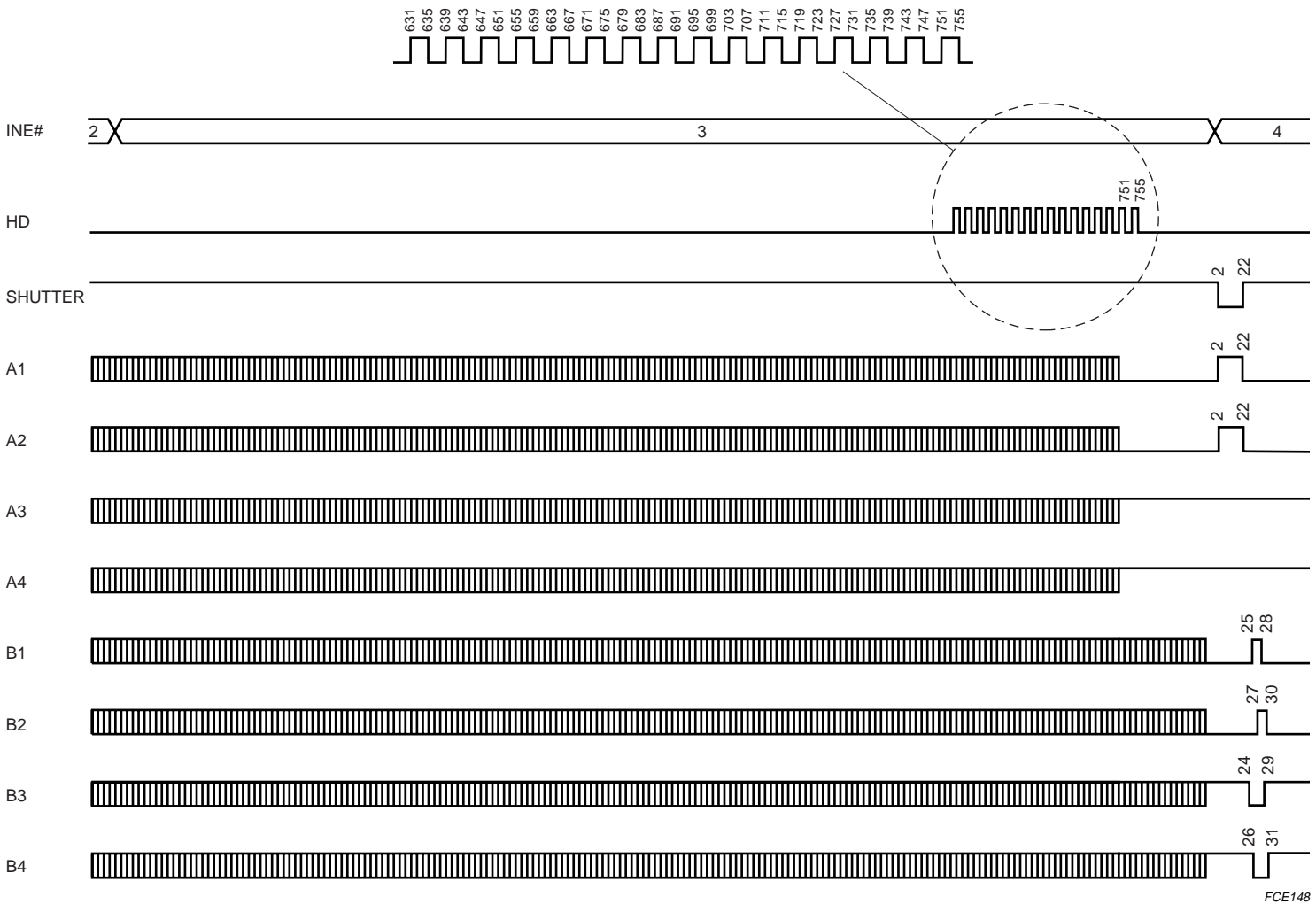


Fig.19 Vertical pulses for VGA sensors (4).

Digital camera USB interface IC

SAA8117HL

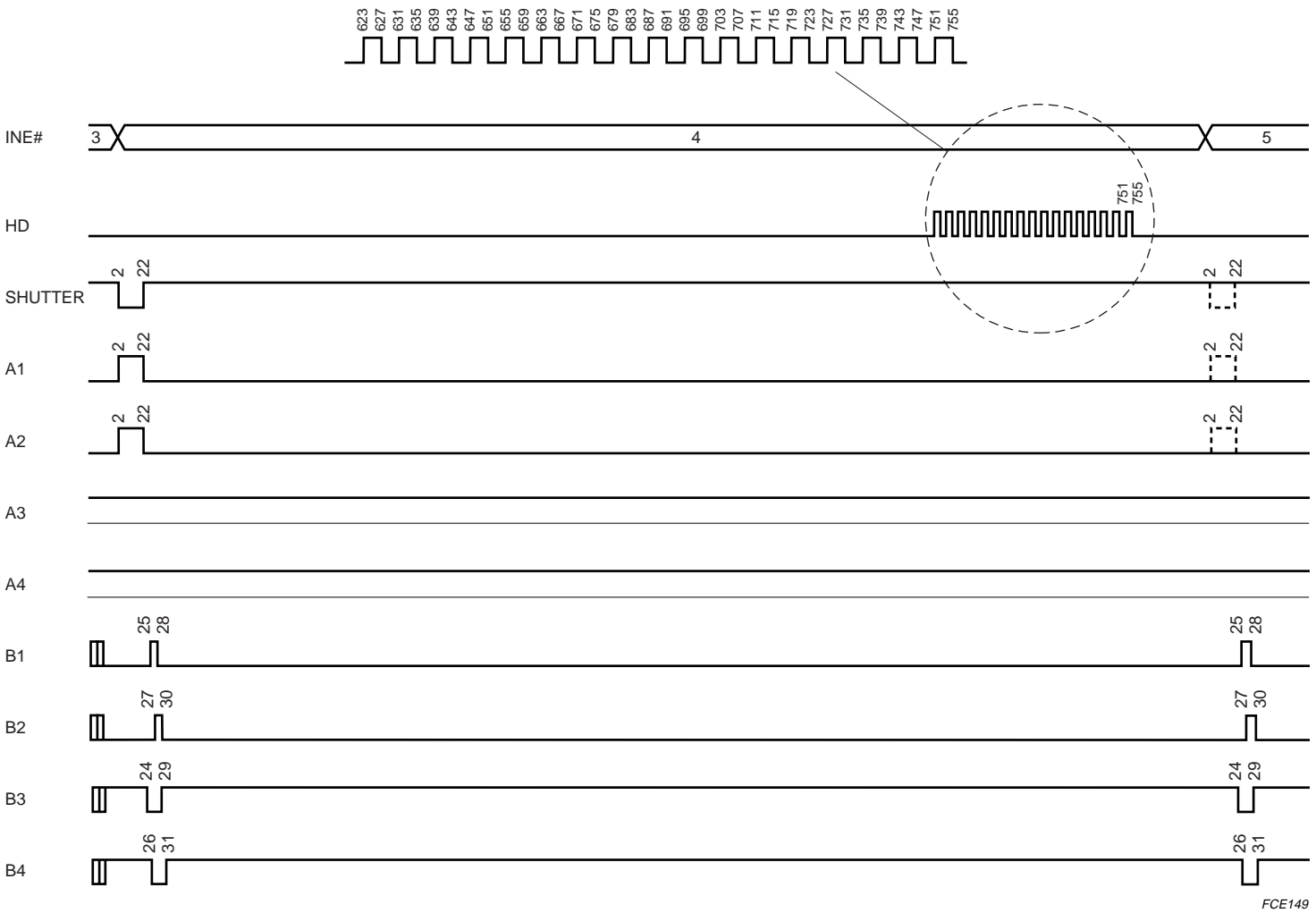


Fig.20 Vertical pulses for VGA sensors (5).

Digital camera USB interface IC

SAA8117HL

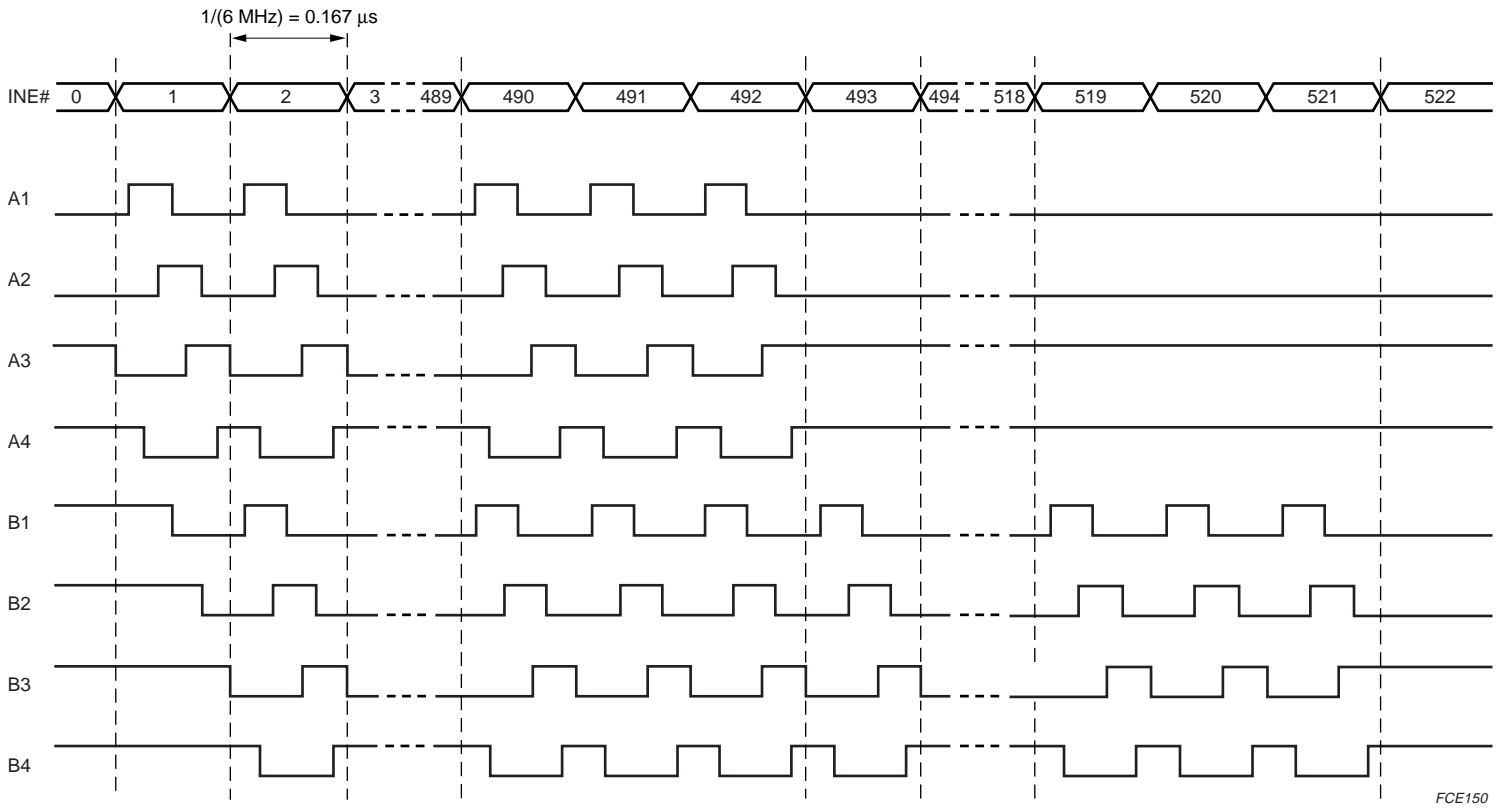


Fig.21 Vertical pulses for VGA sensors (6).

# Digital camera USB interface IC

# SAA8117HL

## 8.8 USB video FIFO

The USB video FIFO is programmed via the I<sup>2</sup>C-bus (see Fig.22). The FIFO is designed to achieve three different packets containing video on the isochronous USB channel. Video data is contained in a chain of equally sized USB packets, except for the last packet of a video frame which is always smaller. The video frames can be separated from each other by one or more 0-length packets. For low frame rates (below 10 frames/s) there are always 0-length packets in the stream. The host can synchronize on the smaller packets for the high frame rates and on the 0-length packets for the low frame rates.

For every mode the FIFO must be adjusted. There are three parameters to program the video FIFO:

- I<sup>2</sup>C\_Packet\_Size: this value indicates the length of all packets with video data except for the last packet of a video frame
- I<sup>2</sup>C\_FIFO\_Offset: this value indicates the number of data in the FIFO before a new packet is transmitted over the USB
- I<sup>2</sup>C\_Read\_Spacing: this value indicates the number of 12 MHz clock cycles between read actions from the FIFO.

Moreover the FIFO is enabled and disabled with I<sup>2</sup>C\_Active.

The write process to the FIFO is controlled by the transfer buffer and is not programmable.

The read process is executed in the PSIE-MMU and is driven by the USB frame interval (1 ms). Every frame interval the PSIE-MMU tries to read I<sup>2</sup>C\_Packet\_Size bytes from the FIFO. This read process will not be started when a new video frame is stored in the FIFO and there are less than I<sup>2</sup>C\_FIFO\_Offset bytes written. The read process stops if the next bytes are of another video frame, or if the read-pointer overtakes the write-pointer.

I<sup>2</sup>C\_Read\_Spacing determines the read rate. Its value can easily be determined with the formula:

$$I^2C\_Read\_Spacing < \frac{12000}{I^2C\_Packet\_Size}$$

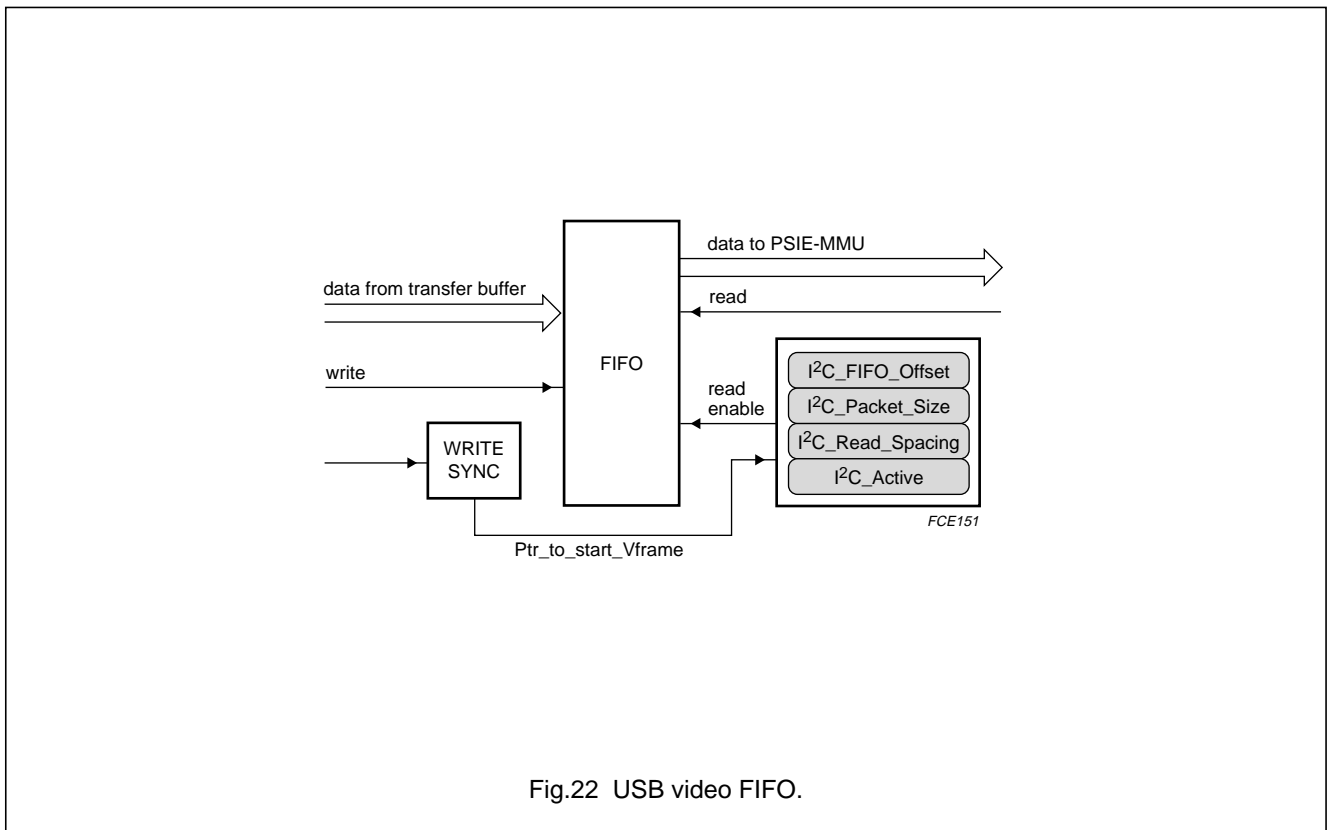


Fig.22 USB video FIFO.

# Digital camera USB interface IC

# SAA8117HL

### 8.9 PSIE-MMU, I<sup>2</sup>C-bus interface and USB RAM space

The Programmable Serial Interface Engine (PSIE) and Memory Management Unit (MMU) is the heart of the USB protocol hardware (see Fig.23). It formats the actual packets that are transferred to the USB and passes the incoming packets to the right end-point buffers. These buffers are allocated as part of the USB RAM space.

The microcontroller communicates via the I<sup>2</sup>C-bus with the PSIE-MMU. The I<sup>2</sup>C-bus protocol distinguishes three register spaces. These spaces are addressed via different commands. The command is sent to the command address. Depending on the command it is sent to the PSIE-MMU and/or to the command interpreter which configures the (de-)mux to open the path to the right register space. Subsequent write/read to/from the data address store or retrieve data from the register space is selected by the command.

### 8.10 ATX and external ATX interface

The SAA8117HL contains an analog bus driver, called the ATX. It incorporates a differential and two single-ended receivers and a differential transmitter. The interface to the bus consists of a differential data pair (ATXDM and ATXDP). The SAA8117HL contains also an interface to an external ATX as backup solution.

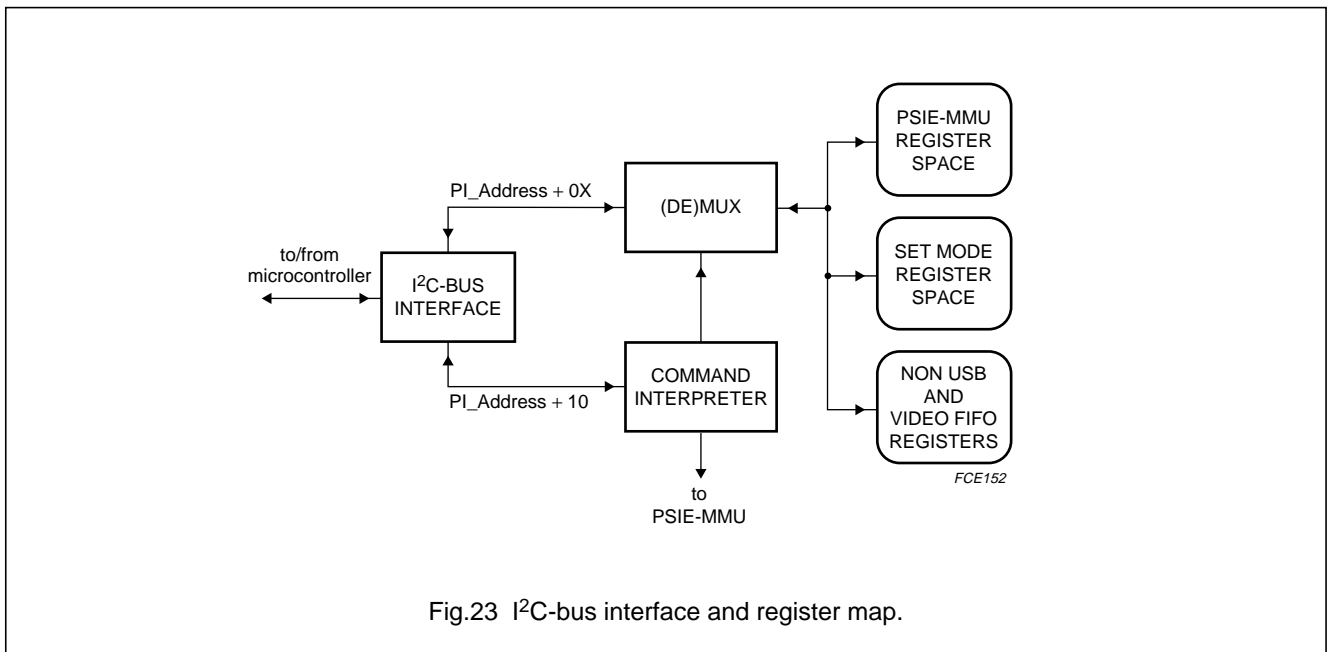


Fig.23 I<sup>2</sup>C-bus interface and register map.

## Digital camera USB interface IC

## SAA8117HL

**8.11 Audio**

The PLL converts the 48 MHz to  $256f_s$  ( $f_s$  = audio sample frequency). There are three modes for the PLL to achieve the sample frequencies of 48, 44.1 or 32 kHz (see Table 1).

In the Fixed Gain Amplifier (FGA) the microphone input is amplified by 20 dB.

The bit stream ADC samples the audio signal. It runs at an oversample rate of 256 times the base sample rate. In the application, the bit stream can be converted to parallel 16-bit samples. This conversion is programmable with respect to the effective sample frequency (dropping sample results in a lower effective sample frequency) and sample resolution. As a result the effective sample rate can be determined.

**Table 1** ADC clock frequencies and sample frequencies

CLOCK (MHz)	DIVIDING NUMBER	SAMPLE FREQUENCY (kHz)	ADC CLOCK (MHz)
8.1920	1	32	4.096
	2	16	2.048
	4	8	1.042
	8	note 1	note 1
11.2996	1	44.1	5.6448
	2	22.05	2.8224
	4	11.025	1.4112
	8	5.5125	0.7056
12.2880	1	48	6.144
	2	24	3.072
	4	12	1.536
	8	6	0.768

**Note**

1. Not supported.

**8.12 Power management**

The USB requires the device to switch power states. The SAA8117HL contains a power management module since the device may not consume more than 500  $\mu$ A during the power state called SUSPEND. This requires that even the crystal oscillator must be switched off. The SAA8117HL is also not functional except for some logic that enables the IC to wake-up the camera. After wake-up of the SAA8117HL first the clock to the microcontroller is generated and thereafter an interrupt is generated to wake-up the controller. Therefore the clock of the microcontroller is generated by the SAA8117HL.

The power management module also sets a flag in register I<sup>2</sup>C\_SET\_MODE\_AND\_READ. After a reset the microcontroller should check this register via the I<sup>2</sup>C-bus and find the cause of the wake-up. Different causes may require different start-up routines.

The internal video processing core uses another V<sub>DDD</sub> domain which can be switched during SUSPEND.

The PPG is switched off by setting SN\_Resume and resetting SN\_PAL\_VGA. In non CIF modes the power consumption is reduced by resetting SN\_Compress and SN\_CLK\_Compress\_On.

The SAA8117HL has the feature to independently wake-up from SUSPEND, but requires a signal from the microcontroller before going into SUSPEND (via the signal on pin SUSREADYNOT).

Since the main oscillator of the SAA8117HL is switched off during SUSPEND precautions are needed to avoid undefined states when the clock is switched on. This is ensured via the pins CLOCKON and TRC.

Pin CLOCKON goes HIGH as soon as the main oscillator is switched on. The oscillator will need some time to make a stable 48 MHz signal. However, the clock is only passed through to other parts of the SAA8117HL when the level on pin TRC reaches a certain threshold. The time needed to reach the threshold can be trimmed with an RC-circuit.



## Digital camera USB interface IC

## SAA8117HL

**9 CONTROL REGISTER DESCRIPTION**

This Chapter gives an overview of all registers.

**9.1 SNERT (UART)**

The following registers are accessible via SNERT (see Table 2).

**Table 2** SNERT write registers of the SAA8117HL

ADDRESS	NAME	FUNCTION	FORMAT
C0	–	reserved	–
C1	–	reserved	–
C2	CONTROL17_0	various control bits	see Table 3
C3	CONTROL17_1	various control bits	see Table 5
C4	VP_SQCIF_OFFSET	vertical (MSN) and horizontal (LSN) offset for sub-QCIF mode	nibble
C5	CONTROL17_2	various control bits	see Table 6
C6	PPG_SHUTTERSPEED_0	bits of shutter speed 0	see Table 8
C7	PPG_SHUTTERSPEED_1	bits of shutter speed 1	see Table 9
C8	PPG_CLPOB_START_LSB	LSB start position control for CLPOB pulse	byte
C9	PPG_CLPOB_STOP_LSB	LSB stop position control for CLPOB pulse	byte
CA	PPG_CLPDM_START_LSB	LSB start position control for CLPDM pulse	byte
CB	PPG_CLPDM_STOP_LSB	LSB stop position control for CLPDM pulse	byte
CC	CLPMSB	MSBs of CLPOB_Start, CLPOB_Stop, CLPDM_Start and CLPDM_Stop	see Table 10

Digital camera USB interface IC

SAA8117HL

**Table 3** Detailed description of SNERT register CONTROL17\_0 (address 0xC2)

7	6	5	4	3	2	1	0	PARAMETER
X								EIRRAH exchanges the chrominance irregularities when needed; toggle the bit to ensure timing of chrominance signal; the value must be determined experimentally (can be different for different modes)
	1 0							Snapshot transported in 4 : 2 : 2 format transported in 4 : 2 : 0 format
		1 0						Inband_Control in band synchronization words are inserted in the video data stream only active video data is transmitted over USB
			1 0					Compression_Ratio ratio is 4 times ratio is 3 times
				1 0				Compress compression is active; only to be used in case (for this register) bit 2 = 1 and bit 1 = 0 since compression functions are for CIF only; CIF format must be compressed unless the frame rate is 3.75 Hz compression module is switched off and power consumption is minimized for this module
					X	X		Output_Format_Select see Table 4
							1 0	PAL_VGA 1 PAL sensor 0 VGA sensor

**Table 4** Detailed description of bit 2 and bit 1 of SNERT register CONTROL17\_0

2	1	OUTPUT_FORMAT_SELECT PARAMETER	FRAME RATE WITH RESPECT TO OUTPUT FORMAT								
0	0	sub-QCIF	24	20	15	12	10	7.5	5	3.75	–
0	1	QCIF	24	20	15	12	10	7.5	5	3.75	–
1	0	CIF	–	–	15	12	10	7.5	5	3.75	–
1	1	VGA; note 1	–	–	–	–	–	–	–	–	0.9375

**Note**

1. Only valid when a VGA sensor is applied. The VGA output is not compressed.

Digital camera USB interface IC

SAA8117HL

**Table 5** Detailed description of SNERT register CONTROL17\_1 (address 0xC3)

7	6	5	4	3	2	1	0	PARAMETER
X	X	X	X					reserved
				1 0				CLK_Compress_On compression clock active compression module is brought to low power state
					1 0			Prefilter B_Comb horizontal scaling factor exceeds 3 (only functioning if bit 1 is also set to logic 1); this bit switches prefilter B to 13 taps prefilter B is as described for bit 1
						1 0		Prefilter B_On/Off horizontal scaling factor exceeds 2; the prefilter with 7 taps is switched on prefilter B is bypassed
							1 0	Prefilter A_On/Off prefilter A with 3 taps is on; must be set to logic 1 when bit 2 is set to logic 1 to obtain the overall wanted frequency response prefilter A is bypassed

**Table 6** Detailed description of SNERT register CONTROL17\_2 (address 0xC5)

7	6	5	4	3	2	1	0	PARAMETER
X	X	X						PIX_nr0 to PIX_nr2 3 LSBs of 10 bits pixel number for autoexposure control (7 LSBs in register 0xC6)
			1 0					Shutter_Update_Buffer update of the shutter speed is buffered no buffering (immediately destroying of the current video frame)
				1 0				Resume video processing and PPG are switched of; if a VGA sensor is selected the vertical transport pulses are not switched off but this must be done by selecting a PAL sensor (register 0xC2 bit 0) PPG pulses generated
					X	X	X	PPG_Mode_Frame_Rate see Table 7

Digital camera USB interface IC

SAA8117HL

**Table 7** Detailed description of bit 2 to bit 0 of SNERT register CONTROL17\_2

BIT			PARAMETER OF PPG_MODE_FRAME_RATE	
2	1	0	VGA	PAL
0	0	0	24	24
0	0	1	20	20
0	1	0	15	15
0	1	1	10	12
1	0	0	7.5	10
1	0	1	5	7.5
1	1	0	3.75	5
1	1	1	0.9375	3.75

**Table 8** Detailed description of SNERT register PPG\_SHUTTERSPEED\_0 (address 0xC6)

7	6	5	4	3	2	1	0	PARAMETER
X								1 LSB of 9-bit line number (8 MSBs in register 0xC7)
	X	X	X	X	X	X	X	7 MSBs of 10-bit pixel number (3 LSBs in register 0xC5)

**Table 9** Detailed description of SNERT register PPG\_SHUTTERSPEED\_1 (address 0xC7)

7	6	5	4	3	2	1	0	PARAMETER
X	X	X	X	X	X	X	X	8 MSBs of 9-bit line number (LSB in register 0xC6)

**Table 10** Detailed description of SNERT register CLPMSB (address 0xCC)

7	6	5	4	3	2	1	0	PARAMETER
X	X							2 MSBs of CLPOB_Start (LSBs in register 0xC8)
		X	X					2 MSBs of CLPOB_Stop (LSBs in register 0xC9)
				X	X			2 MSBs of CLPDM_Start (LSBs in register 0xCA)
						X	X	2 MSBs of CLPDM_Stop (LSBs in register 0xCB)

# Digital camera USB interface IC

# SAA8117HL

## 9.2 I<sup>2</sup>C-bus interface

The I<sup>2</sup>C-bus interface uses two addresses:

- Command address for writing commands to the Memory Manager (MM)
- Data address for writing/reading data to/from the Memory Manager (MM).

The 6 MSBs of the two addresses are equal and are defined by the PI\_address = 010111 (see Table 11). The LSBs of the addresses differentiate between the command address and the data address. When bit 1 is logic 1 the address is the command address (0x5E) and when bit 1 is logic 0 the address is one of the data addresses (0x5C or 0x5D).

**Table 11** I<sup>2</sup>C-bus addresses

BIT								ADDRESS
7	6	5	4	3	2	1	0	
0	1	0	1	1	1	0	0	0x5C: for writing data to the memory manager
0	1	0	1	1	1	0	1	0x5D: for reading data from the memory manager
0	1	0	1	1	1	1	0	0x5E: for writing commands
0	1	0	1	1	1	1	1	0x5F: not in use

### 9.2.1 COMMANDS

The commands listed in Table 12 must be sent to the I<sup>2</sup>C-bus address 0x5E.

**Table 12** I<sup>2</sup>C-bus USB command codes

BIT								FUNCTION
7	6	5	4	3	2	1	0	
0	0	end-point number						select end-point
0	1	end-point number						read/write status
1	0	end-point number						initialize/read status information
1	1	0	1	address				read/write register bank
1	1	1	0	0	X	X	X	not used
1	1	1	0	1	0	0	0	set non-USB register
1	1	1	1	0	0	0	0	read/write data
1	1	1	1	0	0	0	1	acknowledge setup
1	1	1	1	0	0	1	0	set buffer empty
1	1	1	1	1	0	1	0	set buffer full
1	1	1	1	0	1	0	0	read interrupt register
1	1	1	1	0	1	0	1	read current frame number
1	1	1	1	0	1	1	0	send resume
1	1	1	1	0	1	1	1	set status change bits
1	1	1	1	0	0	1	1	set mode

Digital camera USB interface IC

SAA8117HL

**Table 13** Set mode and write register overview

BYTE	SET MODE AND WRITE
1	N1 timer; programmable timer for power management; counts 12 MHz cycles; must be bigger than number of cycles needed for the microcontroller to go in power-down state after pin SUSREADYNOT is made LOW
2	N2 timer; programmable timer for power management; counts 12 MHz cycles; determines the time between when the microcontroller clock is switched off and the main clock is switched off
3	PSIE-MMU control byte (see Table 14)

**Table 14** Detailed description of PSIE-MMU control byte (byte 3)

7	6	5	4	3	2	1	0	PARAMETER
X	X	X						reserved
			1 0					interrupt after isochronous audio transfer for each isochronous audio transfer an interrupt to the microcontroller will be generated; default set to logic 1 upon general Power-on reset and/or bus reset by the SAA8117HL no interrupts are given to the microcontroller
				1 0				interrupt after isochronous video transfer for each isochronous video transfer an interrupt to the microcontroller will be generated; default set to logic 1 upon general Power-on reset and/or bus reset by the SAA8117HL no interrupts are given to the microcontroller
					1 0			audio end-point audio end-point enabled; default set to logic 1 upon general Power-on reset and/or bus reset by the SAA8117HL audio end-point disabled; the PSIE-MMU will not react on in-tokens on the audio end-point
						1 0		video end-point video end-point enabled; default set to logic 1 upon general Power-on reset and/or bus reset by the SAA8117HL video end-point disabled; the PSIE-MMU will not react on in-tokens on the video end-point
							1 0	error debug mode 1 interrupts are generated only in the event that the transfer is not successfully completed; the microcontroller can read data from the interrupt and status registers to see the cause of this error 0 all successful USB transactions are reported to the microcontroller via an interrupt; default set to logic 0 upon general Power-on reset by the SAA8117HL

Digital camera USB interface IC

SAA8117HL

**Table 15** Detailed description of PSI-MMU set mode and status byte

7	6	5	4	3	2	1	0	PARAMETER
X	X	X	X					reserved
				1 0				remote wake-up status flag remote wake-up when device is in SUSPEND mode no remote wake-up
					1 0			resume status flag bus resume by the host when device is in SUSPEND mode no bus resume
						1 0		bus reset status flag bus reset no bus reset
							1 0	power-up status flag general power up reset no power up reset

9.2.2 END-POINTS

The SAA8117HL has 6 logical end-points which are listed in Table 16.

**Table 16** Mapping of logic to physical end-point numbers for used end-points

END-POINT NAME	LOGIC END-POINT	BUFFER SIZE	PHYSICAL END-POINT	
			OUT	IN
Control end-point	0	8	0	1
Control end-point	1	8	2	3
Interrupt end-point	2	8	–	4
Interrupt end-point	3	8	–	5
Iso video end-point	4	96.0	–	6
Iso video end-point	5	35.1	–	7

## Digital camera USB interface IC

## SAA8117HL

## 9.2.3 CONTROL TOP REGISTERS

The following registers can be written on I<sup>2</sup>C-bus address 1 after the command 0xE8 on I<sup>2</sup>C-bus address 0.

**Table 17** I<sup>2</sup>C-bus control top registers (base address 0x08)

ADDRESS	NAME	FUNCTION
0x08	CLKSHOP CONTROL	clock control
0x09	RSTGEN AND_PLL CONTROL	reset control
0x0A	I/O MUX CONTROL	mux block control
0x0B	POWER CONTROL ANALOG MODULES	power-on analog modules control

**Table 18** Detailed description of I<sup>2</sup>C-bus control top register CLKSHOP CONTROL (address 0x08)

7	6	5	4	3	2	1	0	PARAMETER
1								select ADC clock source sel_ad: clock generated from ADC sel_pll: clock generated from PLL
0								
	0	0						set clock dividers for ADC set_divide00: divided by 1 set_divide01: divided by 2 set_divide10: divided by 4 set_divide11: divided by 8
	0	1						
	1	0						
	1	1						
			X					reserved
				1				disable 48 MHz clock dis_clk_48: disable 48 MHz clock enable clock
				0				
					1			disable receiver clock dis_clk_rec: disable receiver clock enable clock
					0			
						1		disable ADC clock dis_clk_ad: disable ADC clock enable clock
						0		
							X	reserved



Digital camera USB interface IC

SAA8117HL

**Table 19** Detailed description of I<sup>2</sup>C-bus control top register RSTGEN AND PLL CONTROL (address 0x09)

7	6	5	4	3	2	1	0	PARAMETER
0	0							set PLL frequency fcode00: 256 × 44.1 kHz
0	1							fcode01: 256 × 32 kHz
1	0							fcode10: 256 × 48 kHz
1	1							fcode11: 256 × 44.1 kHz
		X	X					reserved
				1				reset PSIE-MMU top module upc_rst_mmu: resetting the USB protocol block (called PSIE-MMU) during tests or in the event of errors
				0				no reset
					X			reserved
						1		reset ADIF top module upc_rst_adif: resetting the digital audio part during tests or in the event of errors
						0		no reset
							1	reset AGC module upc_rst_AGC: resetting the AGC control during tests or in the event of errors
							0	no reset

**Table 20** Detailed description of I<sup>2</sup>C-bus control top register I/O MUX CONTROL (address 0x0A)

7	6	5	4	3	2	1	0	PARAMETER
X	X	X	X	X	X	X	X	reserved

## Digital camera USB interface IC

## SAA8117HL

**Table 21** Detailed description of I<sup>2</sup>C-bus control top register POWER CONTROL OF ANALOG MODULES (address 0x0B)

7	6	5	4	3	2	1	0	PARAMETER
X	X							reserved
		1 0						power control PLL module upc_pll_off: PLL power off power on
			X					reserved
				1 0				power control ADC module left channel upc_adl_off: power off power on
					1 0			power control ADC module right channel upc_adr_off: power off power on
						1 0		power control AGC module left channel upc_AGCl_off: power off power on
							1 0	power control AGC module right channel upc_AGCr_off: power off power on

# Digital camera USB interface IC

# SAA8117HL

## 9.2.4 VIDEO FIFO REGISTERS

**Table 22** Overview of I<sup>2</sup>C-bus video FIFO registers (base address 0x04)

ADDRESS	NAME	FUNCTION
0x04	FIFO OFFSET	8 LSBs of the offset value
0x05	FIFO ACTIVE AND FIFI OFFSET	FIFO active and 3 MSBs of the offset value
0x06	PACKET SIZE	8 LSBs of packet size value
0x07	READ SPACING AND PACKET SIZE	read spacing and 2 MSBs of packet size value

**Table 23** Detailed description of I<sup>2</sup>C-bus video FIFO register FIFO OFFSET (address 0x04)

7	6	5	4	3	2	1	0	PARAMETER
X	X	X	X	X	X	X	X	FIFO offset mode_fifo_offset: sets the minimum contents of the FIFO that has to be reached, before a new video frame will be put on the USB bus. This value can be set between 0 and 2047. Total of 11 bits with 8 LSBs in this register and 3 MSBs in register 0x05.

**Table 24** Detailed description of I<sup>2</sup>C-bus video FIFO register FIFO ACTIVE AND FIFI OFFSET (address 0x05)

7	6	5	4	3	2	1	0	PARAMETER
1								FIFO active mode_active: FIFO is active and the contents of the other mode registers should not be updated by the microcontroller (maledictive)
0								FIFO not active
	X	X	X	X				reserved
					X	X	X	FIFO offset 3 MSBs of the offset value; see also register 0x04

**Table 25** Detailed description of I<sup>2</sup>C-bus video FIFO register PACKET SIZE (address 0x06)

7	6	5	4	3	2	1	0	PARAMETER
X	X	X	X	X	X	X	X	packet size mode_packet_size: sets the packet size of the USB video channel. Packets can vary in size between 0 and 1023. Total of 10 bits with 8 LSBs in this register and 2 MSBs in register 0x07.

**Table 26** Detailed description of I<sup>2</sup>C-bus video FIFO register READ SPACING AND PACKET SIZE (address 0x07)

7	6	5	4	3	2	1	0	PARAMETER
X	X	X	X	X	X			read spacing mode_read_spacing: sets the periodicity of the read pulses; the periodicity can be set from 1 to 63 (from '000001' to '111111')
						X	X	packet size mode_packet_size: 2 MSBs of the value (8 LSBs in register 0x06)

## Digital camera USB interface IC

## SAA8117HL

## 9.2.5 ADIF TOP REGISTERS

**Table 27** Overview of I<sup>2</sup>C-bus ADIF top registers (base address 0x0C)

ADDRESS	NAME	FUNCTION
0x0C	AGC CONTROL GENERAL	AGC control general
0x0D	AGC CONTROL GAIN LEFT	AGC control gain left
0x0E	AGC CONTROL GAIN RIGHT	AGC control gain right
0x0F	ADIF CONTROL	I <sup>2</sup> S-bus input and ADIF2MMU

**Table 28** Detailed description of I<sup>2</sup>C-bus ADIF top register ADIF CONTROL (address 0x0F)

7	6	5	4	3	2	1	0	PARAMETER
X								reserved
	0	0						number of bytes per sample 0 (reserved)
	0	1						1 (8 bits audio samples)
	1	0						2 (16 bits audio samples)
	1	1						3 (24 bits audio samples)
			0					selection mono/stereo operation mono
			1					stereo
				0				selection input for ADC path (ADIF mux) digital input (from I <sup>2</sup> S-bus)
				1				analog input (from Vin_left and Vin_right)
					0			selection high-pass filter (DC filter) for ADC down-sample filter high-pass filter off
					1			high-pass filter on
						0	0	selection UDAI serial input format I <sup>2</sup> S-bus
						0	1	LSB justified, 16 bits
						1	0	LSB justified, 18 bits
						1	1	LSB justified, 20 bits

## Digital camera USB interface IC

## SAA8117HL

**10 LIMITING VALUES**

In accordance with the Absolute Maximum Rating System (IEC 134).

SYMBOL	PARAMETER	CONDITIONS	MIN.	MAX.	UNIT
$V_{DDA}$	analog supply voltage		-0.5	+4.0	V
$V_{DDD}$	digital supply voltage		-0.5	+4.0	V
$V_n$	voltage on pins AGND and DGND pins SCL and SDA all other pins	note 1	-0.5 -0.5 -0.5	+4.0 +5.5 $V_{DD} + 0.5$	V V V
$T_{stg}$	storage temperature		-55	+150	°C
$T_{amb}$	operating ambient temperature		0	70	°C
$T_j$	junction temperature		-40	+125	°C

**Note**

1. 5 V tolerant buffers.

**11 THERMAL CHARACTERISTICS**

SYMBOL	PARAMETER	CONDITIONS	VALUE	UNIT
$R_{th(j-a)}$	thermal resistance from junction to ambient	in free air	51	K/W

## Digital camera USB interface IC

## SAA8117HL

**12 CHARACTERISTICS**
 $V_{DDD} = V_{DDA} = 3.3 \text{ V} \pm 10\%$ ;  $T_{\text{amb}} = 0 \text{ to } 70 \text{ }^{\circ}\text{C}$ .

SYMBOL	PARAMETER	CONDITIONS	MIN.	TYP.	MAX.	UNIT
<b>Supplies</b>						
$V_{DDD}$	digital supply voltage		3.0	3.3	3.6	V
$V_{DDA}$	analog supply voltage		3.0	3.3	3.6	V
$V_{DGND}$	voltage on pins DGND		0	0	0	V
$V_{AGND}$	voltage on pins AGND		0	0	0	V
$I_{DDD}$	digital supply current	$T_{\text{amb}} = 25 \text{ }^{\circ}\text{C}$	–	70	–	mA
$I_{DDA}$	analog supply current	$T_{\text{amb}} = 25 \text{ }^{\circ}\text{C}$	–	20	–	mA
$T_{\text{amb}}$	operating ambient temperature		0	25	70	$^{\circ}\text{C}$
<b>Inputs</b>						
DATA AND CONTROL INPUTS: PINS M0 TO M2, YUV0 TO YUV7, LLC, HREF, VSYNC, RESET, GENPOR, ATXCTRL, RCV, VM0 AND VP0						
$V_{IL}$	LOW-level input voltage		–	–	0.8	V
$V_{IH}$	HIGH-level input voltage		2	–	–	V
<b>Outputs</b>						
DATA AND CONTROL OUTPUTS: PINS CLK2, SMP, SPEED, SUSPEND, VM, VP AND OE BAR						
$V_{OL}$	LOW-level output voltage		–	–	$0.1V_{DDD}$	V
$V_{OH}$	HIGH-level output voltage		$0.85V_{DDD}$	–	–	V
CONTROL OUTPUTS: PINS RG, SHUTTER, C1 TO C3, CLK1, SHP AND SHD						
$V_{OL}$	LOW-level output voltage		–	–	0.8	V
$V_{OH}$	HIGH-level output voltage		2.0	–	–	V
CONTROL OUTPUTS: PINS A1 TO A4 AND B1 TO B4						
$V_{OL}$	LOW-level output voltage		–	–	0.8	V
$V_{OH}$	HIGH-level output voltage		2.6	–	–	V
CONTROL OUTPUTS: PINS CLPDM AND CLPOB						
$V_{OL}$	LOW-level output voltage		–	–	0.6	V
$V_{OH}$	HIGH-level output voltage		2.2	–	–	V
<b>Interfaces</b>						
I <sup>2</sup> S-BUS: PINS DA, BCK AND WS						
$V_{IL}$	LOW-level input voltage		–	–	$0.3V_{DDD}$	V
$V_{IH}$	HIGH-level input voltage		$0.7V_{DDD}$	–	–	V
I <sup>2</sup> C-BUS AND SNERT BUS: PINS SDA, SCL, SNDA, SNCL AND SNRES						
$V_{IL}$	LOW-level input voltage		–	–	0.7	V
$V_{IH}$	HIGH-level input voltage		$0.2V_{DDD} + 0.9$	–	$V_{DDD} + 0.5$	V
$V_{OL}$	LOW-level output voltage	note 1	–	–	0.4	V
$V_{OH}$	HIGH-level output voltage	note 1	$V_{DDD} - 0.7$	–	–	V

## Digital camera USB interface IC

## SAA8117HL

SYMBOL	PARAMETER	CONDITIONS	MIN.	TYP.	MAX.	UNIT
MICROCONTROLLER INTERFACE: PINS SUSREADYNOT, UCPOR, UCINT, CLOCK, CLOCKON, TRC, SNAPSHOT AND DCDCON						
V <sub>IL</sub>	LOW-level input voltage	note 2	–	–	0.7	V
V <sub>IH</sub>	HIGH-level input voltage	note 2	0.2V <sub>DDD</sub> + 0.9	–	V <sub>DDD</sub> + 0.5	V
V <sub>OL</sub>	LOW-level output voltage	note 3	–	–	0.4	V
V <sub>OH</sub>	HIGH-level output voltage	note 3	V <sub>DDD</sub> – 0.7	–	–	V
<b>Audio Phase-Locked Loop (PLL)</b>						
f <sub>i</sub>	clock input frequency		–	48	–	MHz
f <sub>o</sub>	clock output frequency	note 4	–	11.2996	–	MHz
B	bandwidth		–	2.3	–	kHz
ζ	damping		–	0.98	–	
<b>ΣΔ convertor</b>						
INPUTS						
f <sub>i</sub>	input signal frequency		1	–	20	kHz
V <sub>i(rms)</sub>	input voltage (RMS value)		–	800	–	mV
TRANSFER FUNCTION						
N	order of the ΣΔ		–	3	–	
N <sub>bit</sub>	number of output bits		–	1	–	
N <sub>eqbit</sub>	equivalent output resolution (bit)		–	16	–	
DR <sub>i</sub>	dynamic range at input	note 5	–	96.6	–	dB
f <sub>clk</sub>	clock frequency		–	–	5.6448	MHz
δ	clock frequency duty factor		–	50	–	%
<b>Fixed Gain Amplifier (FGA)</b>						
LOAD						
R <sub>L</sub>	load resistance		5	–	–	kΩ
C <sub>L</sub>	load capacitance		–	–	15	pF
TRANSFER FUNCTION						
V <sub>i(nom)(p-p)</sub>	nominal input voltage (peak-to-peak value)		–	226.3	–	mV
A1	amplification		–	20	–	dB
V <sub>o(nom)(rms)</sub>	nominal output voltage (RMS value)		–	800	–	mV
S/N	signal-to-noise ratio	note 6	–	60	–	dB
THD	total harmonic distortion	at HIGH-level; note 7	–	–65	–	dB
R <sub>i</sub>	input impedance		3.35	4.7	6.0	kΩ
R <sub>o</sub>	output impedance		–	–	100	Ω
f <sub>i</sub>	input frequency	±3 dB range	100	–	20000	Hz

## Digital camera USB interface IC

## SAA8117HL

SYMBOL	PARAMETER	CONDITIONS	MIN.	TYP.	MAX.	UNIT
<b>BIASING</b>						
$I_{ref}$	reference current		–	25	–	$\mu\text{A}$
<b>FGA/<math>\Sigma\Delta</math> path</b>						
TRANSFER FUNCTION						
A1	amplification		–	20	–	dB
S/N	signal-to-noise ratio		51	60	70	dB
THD	total harmonic distortion		–70	–66	–61	dB
<b>ATX transceiver</b>						
DRIVER CHARACTERISTICS IN FULL SPEED MODE: PINS ATXDP AND ATXDM						
$f_{o(\text{sample})}$	audio sample output frequency		4	–	48	MHz
$t_{t(\text{rise})}$	rise transition time	$C_L = 50 \text{ pF}$	4	–	20	ns
$t_{t(\text{fall})}$	fall transition time	$C_L = 50 \text{ pF}$	4	–	20	ns
$t_{t(\text{match})}$	transition time matching	note 8	90	–	110	%
$V_{o(\text{cr})}$	output signal crossover voltage		1.3	–	2.0	V
$Z_o$	driver output impedance	steady state drive	30	–	42	$\Omega$
RECEIVER CHARACTERISTICS IN FULL SPEED MODE: PINS ATXDP AND ATXDM						
$f_s$	audio sample input frequency		5	–	55	kHz
$f_{i(D)}$	data input frequency rate		–	12.00	–	Mbits/s
$t_{\text{frame}}$	frame interval		–	1.000	–	ms

**Notes**

1. This applies the outputs: pins SDA and SNDA.
2. This applies the inputs: pins SUSREADYNOT, TRC and SNAPSHOT.
3. This applies the outputs: pins CLOCK, UCINT, UCPOR, CLOCKON and DCDCON.
4. Frequencies depend on PLL settings (see Table 1).
5. Defined here as:  $20 \times \log \frac{V_i}{V_{n(i)(\text{eq})}}$  where  $V_i$  = input voltage and  $V_{n(i)(\text{eq})}$  = equivalent input noise voltage.
6. The noise is measured with A-weighting at the nominal input voltage.
7. The distortion is measured at a maximum output voltage of 2.4 V (p-p).
8. Transition time matching:  $t_{t(\text{match})} = \frac{t_{t(\text{rise})}}{t_{t(\text{fall})}}$



## Digital camera USB interface IC

## SAA8117HL

**13 TIMING**

$V_{DD} = V_{DDA} = 3.3 \text{ V} \pm 10\%$ ; load capacitance = 10 pF;  $T_{amb} = 0 \text{ to } 70 \text{ }^\circ\text{C}$ ; unless otherwise specified.

SYMBOL	PARAMETER	CONDITIONS	MIN.	TYP.	MAX.	UNIT
<b>Data input related to LCC (see Fig.24)</b>						
Pins YUV0 to YUV7, HREF and VSYNC						
$t_{su(i)(D)}$	data input set-up time		1	–	–	ns
$t_{h(i)(D)}$	data input hold time		1	–	–	ns
<b>PPG high-speed pulses for PAL medium resolution sensors; mode 0 (see Fig.25)</b>						
$t_{d1}$	delay between falling edge C2 and rising edge C1		–2	–1.5	0	ns
$t_{d2}$	delay between rising edge C2 and falling edge C1		1	1.5	2	ns
$t_{d3}$	delay between falling edge C1 and rising edge SHP		–3	–1.5	–1	ns
$t_{d4}$	delay between rising edge C1 and rising edge SHD		–0.5	0	+0.5	ns
$t_{d5}$	delay between rising edge C1 and falling edge RG		0.5	1	2	ns
$t_{d6}$	delay between falling edge CLK1 and rising edge C1		0	1	2	ns
$t_{d7}$	delay between rising edge CLK1 and falling edge C1		–0.5	0	+0.5	ns
$t_{d8}$	delay between rising edge CLK2 and rising edge C1		–2	0	+2	ns
$t_{WH(C1)}$	C1 pulse width HIGH		164	165	–	ns
$t_{WL(C2)}$	C2 pulse width LOW		166	167	–	ns
$t_{WL(SHP)}$	SHP pulse width LOW		81	82	–	ns
$t_{WL(SHD)}$	SHD pulse width LOW		81	82	–	ns
$t_{WL(RG)}$	RG pulse width LOW		83	84	–	ns
$t_{WL(CLK1)}$	CLK1 pulse width LOW		164	165	–	ns
$t_{WH(CLK2)}$	CLK2 pulse width HIGH		79	80	–	ns
$t_r$	rise time pulse C1 pulse C2 pulse RG pulse SHP pulse SHD	note 1	–	4.5 4 4 4 4	–	ns ns ns ns ns
$t_f$	fall time pulse C1 pulse C2 pulse RG pulse SHP pulse SHD	note 1	–	4 4 4 4.5 4.5	–	ns ns ns ns ns

Digital camera USB interface IC

SAA8117HL

SYMBOL	PARAMETER	CONDITIONS	MIN.	TYP.	MAX.	UNIT
<b>PPG high-speed pulses for VGA sensors (see Fig.26)</b>						
$t_{d1}$	delay between rising edge C2 and rising edge C1		61	62	63	ns
$t_{d2}$	delay between rising edge C3 and rising edge C2		61	62	63	ns
$t_{d3}$	delay between rising edge SHP and falling edge C3		-1.5	-1	+0.5	ns
$t_{d4}$	delay between falling edge SHD and rising edge C2		8	9	10	ns
$t_{d5}$	delay between rising edge SHD and rising edge C3		-12	-11	-10	ns
$t_{d6}$	delay between rising edge RG and rising edge C1		-0.5	0	+0.5	ns
$t_{d7}$	delay between rising edge C1 and falling edge CLK1		18	19	21	ns
$t_{d8}$	delay between rising edge C1 and rising edge CLK2		20	21	22	ns
$t_{WH(C1)}$	C1 pulse width HIGH		81	82	-	ns
$t_{WH(C2)}$	C2 pulse width HIGH		81	82	-	ns
$t_{WH(C3)}$	C3 pulse width HIGH		82	85	-	ns
$t_{WL(SHP)}$	SHP pulse width LOW		21	22	-	ns
$t_{WL(SHD)}$	SHD pulse width LOW		43	44	-	ns
$t_{WL(RG)}$	RG pulse width LOW		21	22	-	ns
$t_{WH(CLK1)}$	CLK1 pulse width HIGH		81	82	-	ns
$t_{WH(CLK2)}$	CLK2 pulse width HIGH		41	43	-	ns

**Note**

1. Load capacity = 11 pF;  $V_{DD} = V_{DDA} = 3.3\text{ V}$ ;  $T_{amb} = 25\text{ }^\circ\text{C}$ .

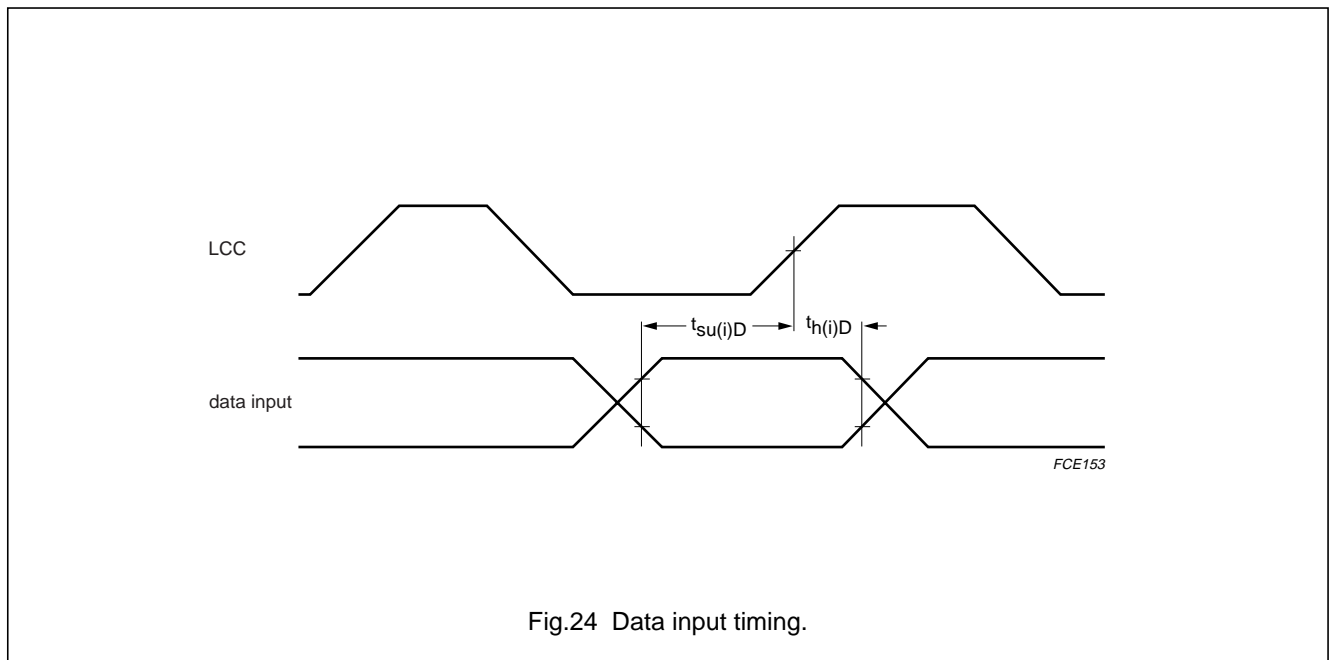


Fig.24 Data input timing.

Digital camera USB interface IC

SAA8117HL

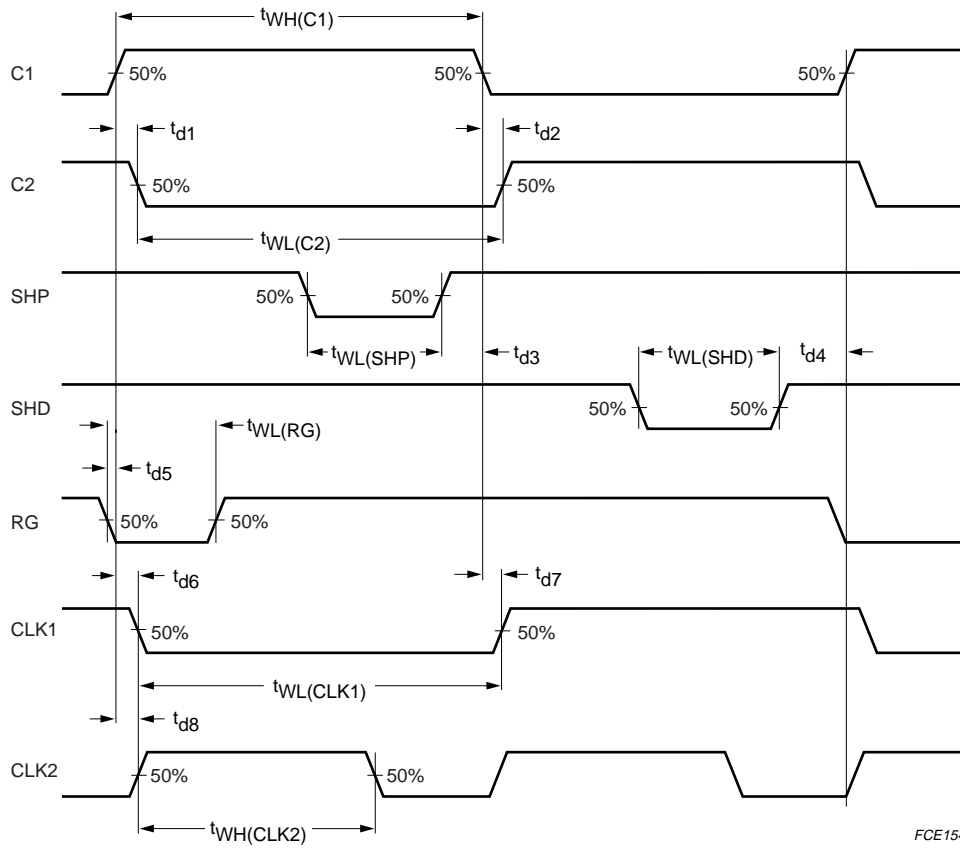


Fig.25 PPG high-speed pulses for PAL medium resolution sensors (mode 0).

Digital camera USB interface IC

SAA8117HL

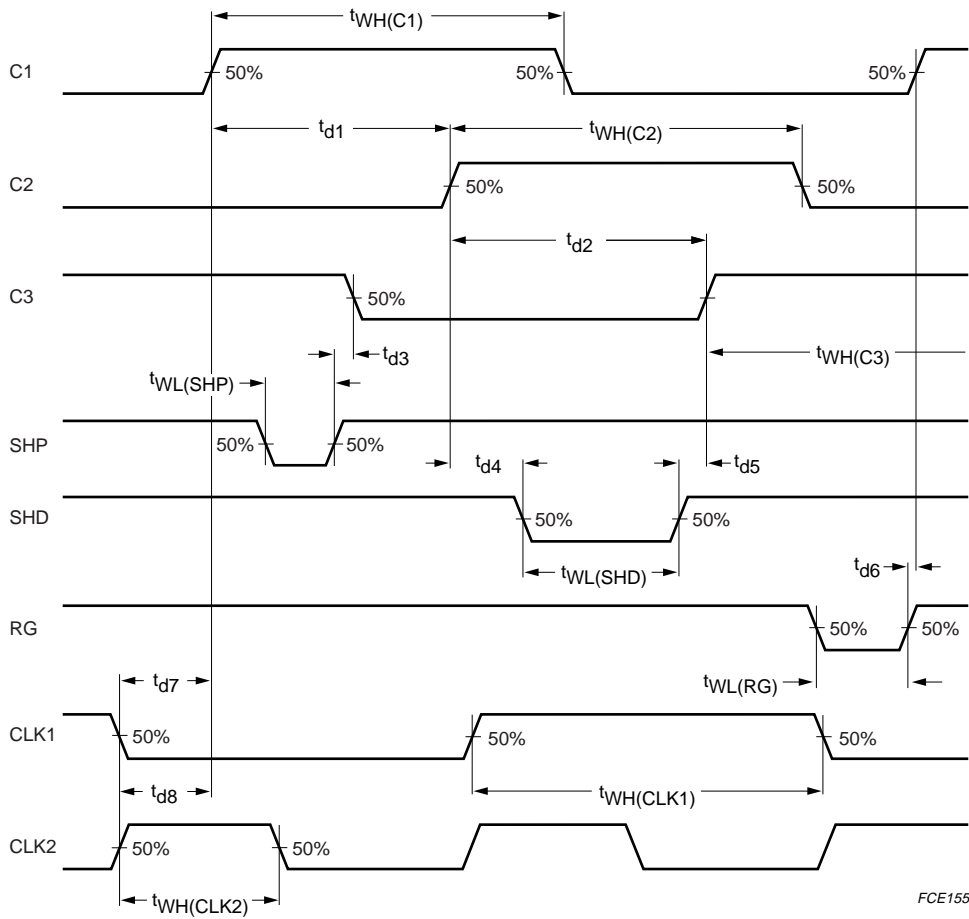


Fig.26 PPG high-speed pulses for VGA sensors (mode 2).

# Digital camera USB interface IC

# SAA8117HL

## 14 APPLICATION INFORMATION

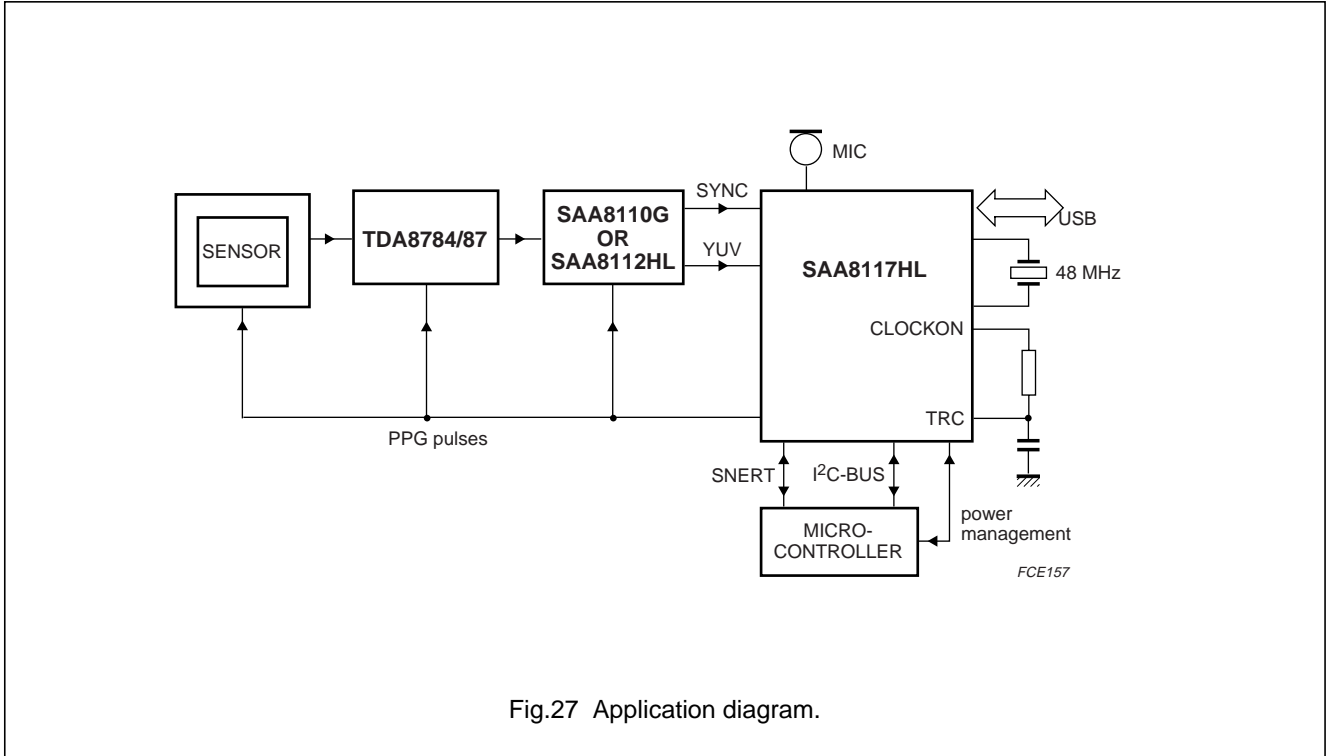


Fig.27 Application diagram.

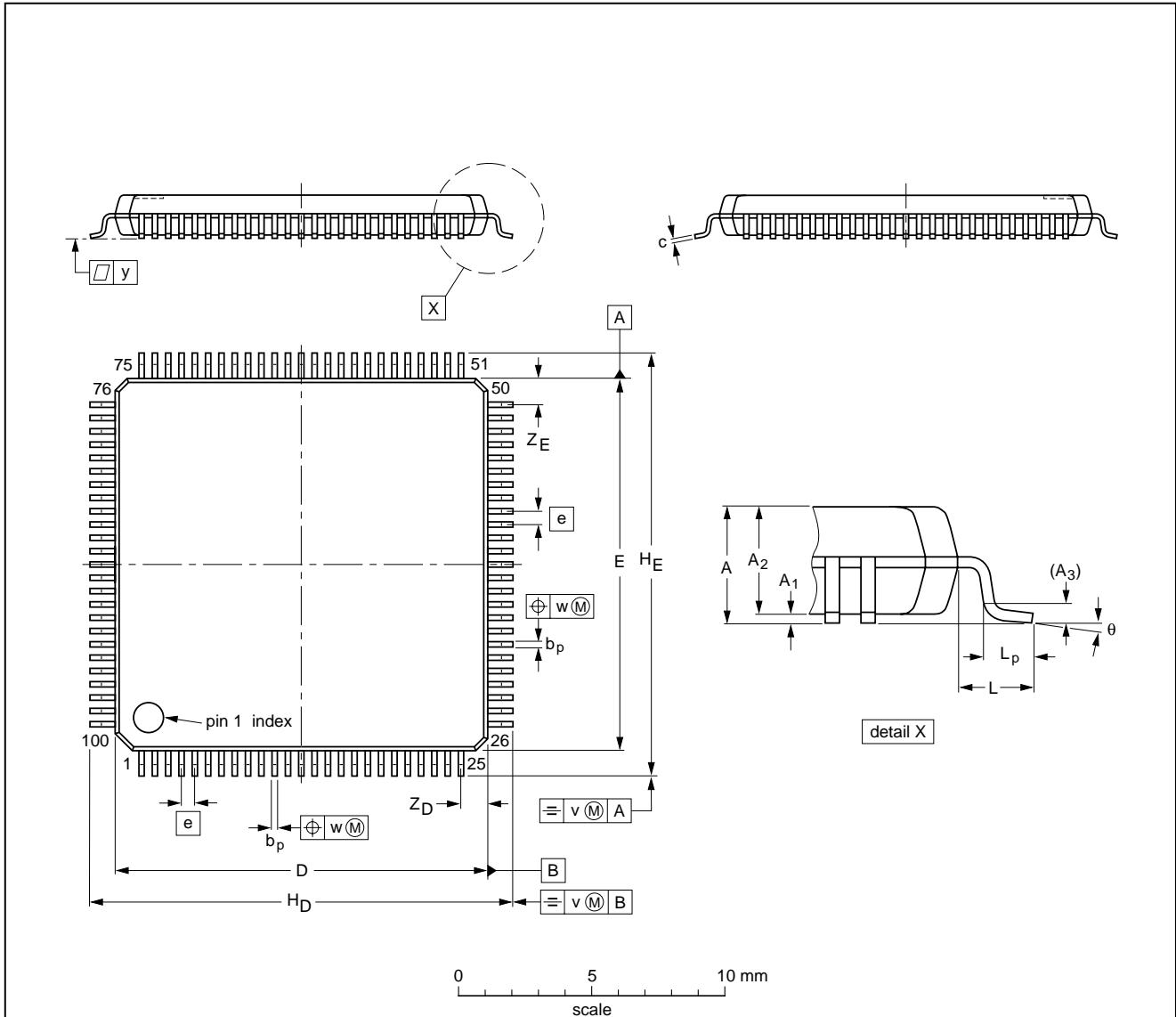
Digital camera USB interface IC

SAA8117HL

15 PACKAGE OUTLINE

LQFP100: plastic low profile quad flat package; 100 leads; body 14 x 14 x 1.4 mm

SOT407-1



DIMENSIONS (mm are the original dimensions)

UNIT	A max.	A <sub>1</sub>	A <sub>2</sub>	A <sub>3</sub>	b <sub>p</sub>	c	D <sup>(1)</sup>	E <sup>(1)</sup>	e	H <sub>D</sub>	H <sub>E</sub>	L	L <sub>p</sub>	v	w	y	Z <sub>D</sub> <sup>(1)</sup>	Z <sub>E</sub> <sup>(1)</sup>	θ
mm	1.6	0.20 0.05	1.5 1.3	0.25	0.28 0.16	0.18 0.12	14.1 13.9	14.1 13.9	0.5	16.25 15.75	16.25 15.75	1.0	0.75 0.45	0.2	0.12	0.1	1.15 0.85	1.15 0.85	7° 0°

Note

1. Plastic or metal protrusions of 0.25 mm maximum per side are not included.

OUTLINE VERSION	REFERENCES				EUROPEAN PROJECTION	ISSUE DATE
	IEC	JEDEC	EIAJ			
SOT407-1						95-12-19 97-08-04

## Digital camera USB interface IC

## SAA8117HL

### 16 SOLDERING

#### 16.1 Introduction to soldering surface mount packages

This text gives a very brief insight to a complex technology. A more in-depth account of soldering ICs can be found in our *"Data Handbook IC26; Integrated Circuit Packages"* (document order number 9398 652 90011).

There is no soldering method that is ideal for all surface mount IC packages. Wave soldering is not always suitable for surface mount ICs, or for printed-circuit boards with high population densities. In these situations reflow soldering is often used.

#### 16.2 Reflow soldering

Reflow soldering requires solder paste (a suspension of fine solder particles, flux and binding agent) to be applied to the printed-circuit board by screen printing, stencilling or pressure-syringe dispensing before package placement.

Several methods exist for reflowing; for example, infrared/convection heating in a conveyor type oven. Throughput times (preheating, soldering and cooling) vary between 100 and 200 seconds depending on heating method.

Typical reflow peak temperatures range from 215 to 250 °C. The top-surface temperature of the packages should preferably be kept below 230 °C.

#### 16.3 Wave soldering

Conventional single wave soldering is not recommended for surface mount devices (SMDs) or printed-circuit boards with a high component density, as solder bridging and non-wetting can present major problems.

To overcome these problems the double-wave soldering method was specifically developed.

If wave soldering is used the following conditions must be observed for optimal results:

- Use a double-wave soldering method comprising a turbulent wave with high upward pressure followed by a smooth laminar wave.
- For packages with leads on two sides and a pitch (e):
  - larger than or equal to 1.27 mm, the footprint longitudinal axis is **preferred** to be parallel to the transport direction of the printed-circuit board;
  - smaller than 1.27 mm, the footprint longitudinal axis **must** be parallel to the transport direction of the printed-circuit board.

The footprint must incorporate solder thieves at the downstream end.

- For packages with leads on four sides, the footprint must be placed at a 45° angle to the transport direction of the printed-circuit board. The footprint must incorporate solder thieves downstream and at the side corners.

During placement and before soldering, the package must be fixed with a droplet of adhesive. The adhesive can be applied by screen printing, pin transfer or syringe dispensing. The package can be soldered after the adhesive is cured.

Typical dwell time is 4 seconds at 250 °C.

A mildly-activated flux will eliminate the need for removal of corrosive residues in most applications.

#### 16.4 Manual soldering

Fix the component by first soldering two diagonally-opposite end leads. Use a low voltage (24 V or less) soldering iron applied to the flat part of the lead. Contact time must be limited to 10 seconds at up to 300 °C.

When using a dedicated tool, all other leads can be soldered in one operation within 2 to 5 seconds between 270 and 320 °C.

## Digital camera USB interface IC

## SAA8117HL

## 16.5 Suitability of surface mount IC packages for wave and reflow soldering methods

PACKAGE	SOLDERING METHOD	
	WAVE	REFLOW <sup>(1)</sup>
BGA, SQFP	not suitable	suitable
HLQFP, HSQFP, HSOP, HTSSOP, SMS	not suitable <sup>(2)</sup>	suitable
PLCC <sup>(3)</sup> , SO, SOJ	suitable	suitable
LQFP, QFP, TQFP	not recommended <sup>(3)(4)</sup>	suitable
SSOP, TSSOP, VSO	not recommended <sup>(5)</sup>	suitable

**Notes**

1. All surface mount (SMD) packages are moisture sensitive. Depending upon the moisture content, the maximum temperature (with respect to time) and body size of the package, there is a risk that internal or external package cracks may occur due to vaporization of the moisture in them (the so called popcorn effect). For details, refer to the Drypack information in the *"Data Handbook IC26; Integrated Circuit Packages; Section: Packing Methods"*.
2. These packages are not suitable for wave soldering as a solder joint between the printed-circuit board and heatsink (at bottom version) can not be achieved, and as solder may stick to the heatsink (on top version).
3. If wave soldering is considered, then the package must be placed at a 45° angle to the solder wave direction. The package footprint must incorporate solder thieves downstream and at the side corners.
4. Wave soldering is only suitable for LQFP, TQFP and QFP packages with a pitch (e) equal to or larger than 0.8 mm; it is definitely not suitable for packages with a pitch (e) equal to or smaller than 0.65 mm.
5. Wave soldering is only suitable for SSOP and TSSOP packages with a pitch (e) equal to or larger than 0.65 mm; it is definitely not suitable for packages with a pitch (e) equal to or smaller than 0.5 mm.



# Digital camera USB interface IC

# SAA8117HL

## 17 DEFINITIONS

<b>Data sheet status</b>	
Objective specification	This data sheet contains target or goal specifications for product development.
Preliminary specification	This data sheet contains preliminary data; supplementary data may be published later.
Product specification	This data sheet contains final product specifications.
<b>Limiting values</b>	
Limiting values given are in accordance with the Absolute Maximum Rating System (IEC 134). Stress above one or more of the limiting values may cause permanent damage to the device. These are stress ratings only and operation of the device at these or at any other conditions above those given in the Characteristics sections of the specification is not implied. Exposure to limiting values for extended periods may affect device reliability.	
<b>Application information</b>	
Where application information is given, it is advisory and does not form part of the specification.	

## 18 LIFE SUPPORT APPLICATIONS

These products are not designed for use in life support appliances, devices, or systems where malfunction of these products can reasonably be expected to result in personal injury. Philips customers using or selling these products for use in such applications do so at their own risk and agree to fully indemnify Philips for any damages resulting from such improper use or sale.

## 19 PURCHASE OF PHILIPS I<sup>2</sup>C COMPONENTS



Purchase of Philips I<sup>2</sup>C components conveys a license under the Philips' I<sup>2</sup>C patent to use the components in the I<sup>2</sup>C system provided the system conforms to the I<sup>2</sup>C specification defined by Philips. This specification can be ordered using the code 9398 393 40011.

Digital camera USB interface IC

SAA8117HL

---

**NOTES**

Digital camera USB interface IC

SAA8117HL

---

**NOTES**

# Philips Semiconductors – a worldwide company

**Argentina:** see South America

**Australia:** 34 Waterloo Road, NORTH RYDE, NSW 2113,  
Tel. +61 2 9805 4455, Fax. +61 2 9805 4466

**Austria:** Computerstr. 6, A-1101 WIEN, P.O. Box 213,  
Tel. +43 1 60 101 1248, Fax. +43 1 60 101 1210

**Belarus:** Hotel Minsk Business Center, Bld. 3, r. 1211, Volodarski Str. 6,  
220050 MINSK, Tel. +375 172 20 0733, Fax. +375 172 20 0773

**Belgium:** see The Netherlands

**Brazil:** see South America

**Bulgaria:** Philips Bulgaria Ltd., Energoproject, 15th floor,  
51 James Bourchier Blvd., 1407 SOFIA,  
Tel. +359 2 68 9211, Fax. +359 2 68 9102

**Canada:** PHILIPS SEMICONDUCTORS/COMPONENTS,  
Tel. +1 800 234 7381, Fax. +1 800 943 0087

**China/Hong Kong:** 501 Hong Kong Industrial Technology Centre,  
72 Tat Chee Avenue, Kowloon Tong, HONG KONG,  
Tel. +852 2319 7888, Fax. +852 2319 7700

**Colombia:** see South America

**Czech Republic:** see Austria

**Denmark:** Sydhavnsgade 23, 1780 COPENHAGEN V,  
Tel. +45 33 29 3333, Fax. +45 33 29 3905

**Finland:** Sinikalliontie 3, FIN-02630 ESPOO,  
Tel. +358 9 615 800, Fax. +358 9 6158 0920

**France:** 51 Rue Carnot, BP317, 92156 SURESNES Cedex,  
Tel. +33 1 4099 6161, Fax. +33 1 4099 6427

**Germany:** Hammerbrookstraße 69, D-20097 HAMBURG,  
Tel. +49 40 2353 60, Fax. +49 40 2353 6300

**Hungary:** see Austria

**India:** Philips INDIA Ltd, Band Box Building, 2nd floor,  
254-D, Dr. Annie Besant Road, Worli, MUMBAI 400 025,  
Tel. +91 22 493 8541, Fax. +91 22 493 0966

**Indonesia:** PT Philips Development Corporation, Semiconductors Division,  
Gedung Philips, Jl. Buncit Raya Kav.99-100, JAKARTA 12510,  
Tel. +62 21 794 0040 ext. 2501, Fax. +62 21 794 0080

**Ireland:** Newstead, Clonskeagh, DUBLIN 14,  
Tel. +353 1 7640 000, Fax. +353 1 7640 200

**Israel:** RAPAC Electronics, 7 Kehilat Saloniki St, PO Box 18053,  
TEL AVIV 61180, Tel. +972 3 645 0444, Fax. +972 3 649 1007

**Italy:** PHILIPS SEMICONDUCTORS, Piazza IV Novembre 3,  
20124 MILANO, Tel. +39 2 6752 2531, Fax. +39 2 6752 2557

**Japan:** Philips Bldg 13-37, Kohnan 2-chome, Minato-ku,  
TOKYO 108-8507, Tel. +81 3 3740 5130, Fax. +81 3 3740 5077

**Korea:** Philips House, 260-199 Itaewon-dong, Yongsan-ku, SEOUL,  
Tel. +82 2 709 1412, Fax. +82 2 709 1415

**Malaysia:** No. 76 Jalan Universiti, 46200 PETALING JAYA, SELANGOR,  
Tel. +60 3 750 5214, Fax. +60 3 757 4880

**Mexico:** 5900 Gateway East, Suite 200, EL PASO, TEXAS 79905,  
Tel. +9-5 800 234 7381, Fax +9-5 800 943 0087

**Middle East:** see Italy

**Netherlands:** Postbus 90050, 5600 PB EINDHOVEN, Bldg. VB,  
Tel. +31 40 27 82785, Fax. +31 40 27 88399

**New Zealand:** 2 Wagener Place, C.P.O. Box 1041, AUCKLAND,  
Tel. +64 9 849 4160, Fax. +64 9 849 7811

**Norway:** Box 1, Manglerud 0612, OSLO,  
Tel. +47 22 74 8000, Fax. +47 22 74 8341

**Pakistan:** see Singapore

**Philippines:** Philips Semiconductors Philippines Inc.,  
106 Valero St. Salcedo Village, P.O. Box 2108 MCC, MAKATI,  
Metro MANILA, Tel. +63 2 816 6380, Fax. +63 2 817 3474

**Poland:** Ul. Lukiska 10, PL 04-123 WARSZAWA,  
Tel. +48 22 612 2831, Fax. +48 22 612 2327

**Portugal:** see Spain

**Romania:** see Italy

**Russia:** Philips Russia, Ul. Usatcheva 35A, 119048 MOSCOW,  
Tel. +7 095 755 6918, Fax. +7 095 755 6919

**Singapore:** Lorong 1, Toa Payoh, SINGAPORE 319762,  
Tel. +65 350 2538, Fax. +65 251 6500

**Slovakia:** see Austria

**Slovenia:** see Italy

**South Africa:** S.A. PHILIPS Pty Ltd., 195-215 Main Road Martindale,  
2092 JOHANNESBURG, P.O. Box 7430 Johannesburg 2000,  
Tel. +27 11 470 5911, Fax. +27 11 470 5494

**South America:** Al. Vicente Pinzon, 173, 6th floor,  
04547-130 SÃO PAULO, SP, Brazil,  
Tel. +55 11 821 2333, Fax. +55 11 821 2382

**Spain:** Balmes 22, 08007 BARCELONA,  
Tel. +34 93 301 6312, Fax. +34 93 301 4107

**Sweden:** Kottbygatan 7, Akalla, S-16485 STOCKHOLM,  
Tel. +46 8 5985 2000, Fax. +46 8 5985 2745

**Switzerland:** Allmendstrasse 140, CH-8027 ZÜRICH,  
Tel. +41 1 488 2741 Fax. +41 1 488 3263

**Taiwan:** Philips Semiconductors, 6F, No. 96, Chien Kuo N. Rd., Sec. 1,  
TAIPEI, Taiwan Tel. +886 2 2134 2886, Fax. +886 2 2134 2874

**Thailand:** PHILIPS ELECTRONICS (THAILAND) Ltd.,  
209/2 Sanpavuth-Bangna Road Prakanong, BANGKOK 10260,  
Tel. +66 2 745 4090, Fax. +66 2 398 0793

**Turkey:** Talatpasa Cad. No. 5, 80640 GÜLTEPE/ISTANBUL,  
Tel. +90 212 279 2770, Fax. +90 212 282 6707

**Ukraine:** PHILIPS UKRAINE, 4 Patrice Lumumba str., Building B, Floor 7,  
252042 KIEV, Tel. +380 44 264 2776, Fax. +380 44 268 0461

**United Kingdom:** Philips Semiconductors Ltd., 276 Bath Road, Hayes,  
MIDDLESEX UB3 5BX, Tel. +44 181 730 5000, Fax. +44 181 754 8421

**United States:** 811 East Arques Avenue, SUNNYVALE, CA 94088-3409,  
Tel. +1 800 234 7381, Fax. +1 800 943 0087

**Uruguay:** see South America

**Vietnam:** see Singapore

**Yugoslavia:** PHILIPS, Trg N. Pasica 5/v, 11000 BEOGRAD,  
Tel. +381 11 62 5344, Fax. +381 11 63 5777

**For all other countries apply to:** Philips Semiconductors,  
International Marketing & Sales Communications, Building BE-p, P.O. Box 218,  
5600 MD EINDHOVEN, The Netherlands, Fax. +31 40 27 24825

**Internet:** <http://www.semiconductors.philips.com>

© Philips Electronics N.V. 1999

SCA63

All rights are reserved. Reproduction in whole or in part is prohibited without the prior written consent of the copyright owner.

The information presented in this document does not form part of any quotation or contract, is believed to be accurate and reliable and may be changed without notice. No liability will be accepted by the publisher for any consequence of its use. Publication thereof does not convey nor imply any license under patent- or other industrial or intellectual property rights.

Printed in The Netherlands

545006/750/01/pp60

Date of release: 1999 Apr 02

Document order number: 9397 750 04381

*Let's make things better.*

**Philips  
Semiconductors**



**PHILIPS**